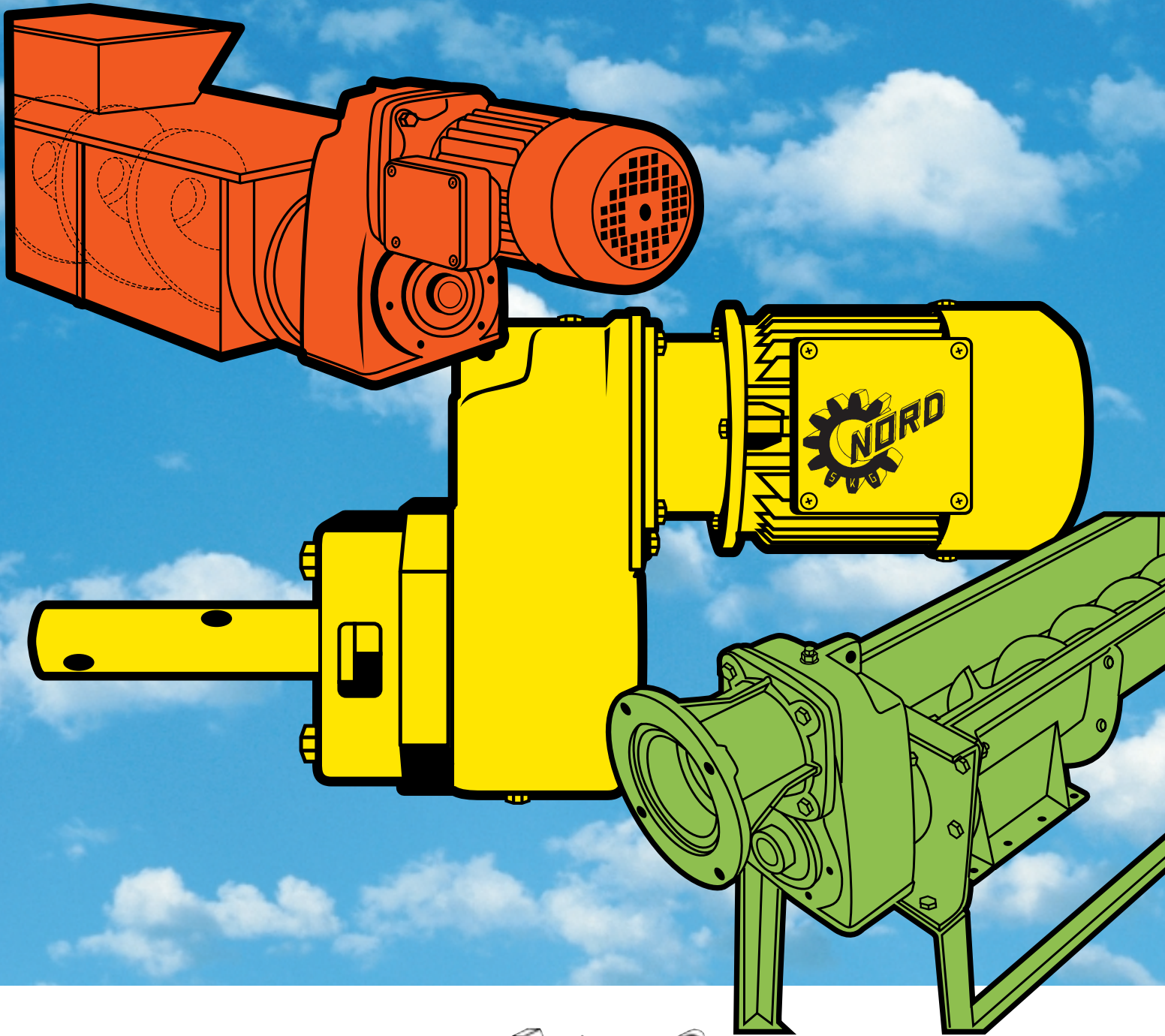
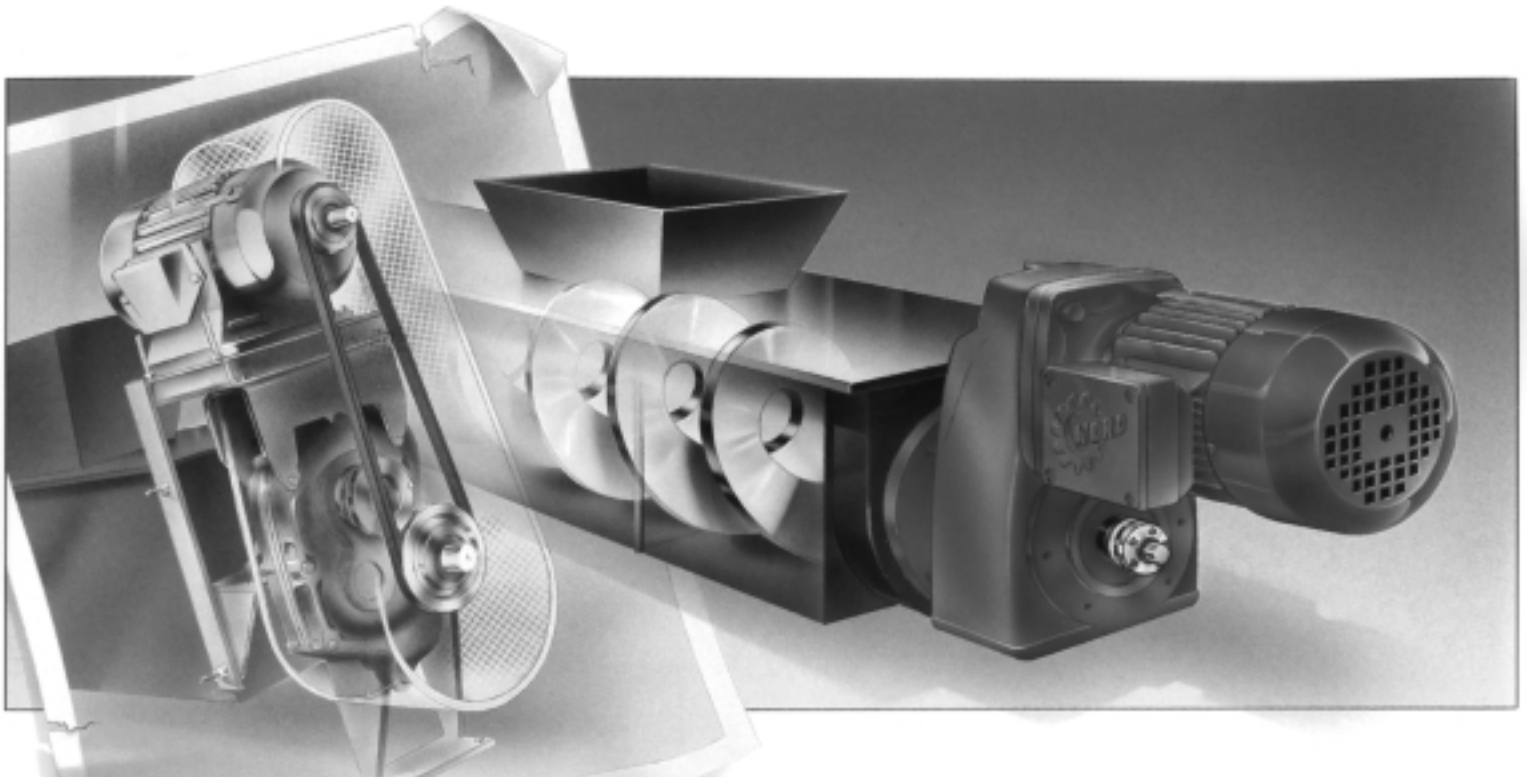


# Screw Conveyor Drive Guide

1129/2000



# LET NORD SHOW YOU... ...WHAT YOU DON'T NEED.



## Discover the Ins and Outs of Nord Gearmotors and Speed Reducers.

### PERFORMANCE SPECIFICATIONS

- 1/4 to 300 hp
- Output torques to 442,500 lb. in.
- Output speeds from 0.5 to 320 rpm
- Gear ratios from 5.47:1 to 3,521:1
- 98% gear efficiency
- **NEW! CEMA Screw Conveyor Flange/Shaft**
- Hollow Shafts
- **NEW! Spline Shafts**

Through the simplicity of the Nord design for gearmotors and speed reducers, you eliminate many of the problems associated with outmoded methods. There is nothing to build - mountings, bases, guards. V-Belts are not required. Vibration is significantly reduced. Maintenance is minimized. And so is down time.

To avoid binding, fretting, corrosion and slippage, Nord has incorporated the shrink disc hollow shaft design. You can forget the difficulties associated with keyways. The hollow shaft is released by simply loosening the locking screws. The exclusive Nord Unicas design does away with oil leakage by manufacturing the gear case from a single piece of grey cast iron.

**UNICASE**  
EXCLUSIVELY FROM NORD GEAR



**24-HOUR  
EMERGENCY RESPONSE**

USA (715) NORD-911  
Canada (905) 792-7365

**ISO9002**

Visit us on the Internet at: <http://www.nord.com>

# Nord Screw Conveyor Drive Guide

## Table of Contents

General Information . . . . .	1
Nomenclature . . . . .	2
Mounting Positions . . . . .	2
Terminal Box Location . . . . .	3
Weights . . . . .	4
Lubricant Capacity . . . . .	5
<b>Integral Motor Performance Data</b> . . . . .	6
Thrust Load Capacity . . . . .	7
<b>Selections</b> Gearmotor . . . . .	7
Reducer . . . . .	7
<b>Dimensions</b> Gearmotor . . . . .	36
Reducer . . . . .	40
Screw Shaft and Trough End Plate . . .	44
<b>Options</b> Reducer . . . . .	45
C-Face motor . . . . .	45
Integral Motor . . . . .	46
Warranty . . . . .	48

- Class I applications are based upon 1.0 minimum service factor
- Class II applications are based upon 1.4 minimum service factor
- Class III applications are based upon 2.0 minimum service factor
- Prices are subject to change without notice
- All Prices are list prices. Use appropriate discount multiplier
- Prices are F.O.B. factory

Prices reflect standard Nord Gear Configurations.  
Specifically requested components are priced individually.  
Specifications and Dimensions are subject to change without notice.  
For Certified Dimensions, contact Nord Gear Corporation.  
DXF files are available upon request.

# Nord Screw Conveyor Drives

## Engineering Bulletin

**As a user of garmotors, gear reducers or mechanical power transmission equipment, you should be aware of Nord products and capabilities. Nord Gear products are based upon solid engineering design minimizing problems often associated with gear drives such as gear noise and oil leakage.**

You can expect the following advantages, in combination with high quality gearing:

- High quality piece of equipment
- Considerable reduction in the possibility of oil leakage
- Unit with quiet running gears
- Increased life of bearings and gears
- High output torque capabilities
- Elimination of leakage between output flanges, input flanges and actual gear housing

**Since leaks and noisy gears are directly related to a quality image, Nord UNICASE should be considered the top of the line.**

### UNICASE DESIGN

A robust one piece housing of the Unicase design combined with Nord's machining techniques virtually assure a "NO LEAK" situation. All bores and motor/input housing registers are machined in one setup to assure accuracy and concentricity of the seal bores and bearing seats. The accurate concentric bores, without bolt-on covers, allow the seals/shafts to operate without pumping oil.

Nord supplies all reducers with an Autovent breather to prevent contamination or water from entering the reducer. Nord uses high quality Nitrile seals with garter springs to guarantee tight clamping around smooth, plunge ground shaft surfaces. Quality machining, attention to small details and careful assembly with proper tools guarantee long, trouble free operation.

### QUADRALIP SEALING

Three seal lips and a grease filled chamber between the seals make up the sealing system. The grease chamber functions as an additional lip to protect the inner oil seal-lip from damage and external contamination. The grease also lubricates the seal lips, keeping them soft and flexible while reducing seal wear due to reduced friction between the lip and shaft surfaces. The grease lubricates the seal surface and separates it from the shaft with a .0001" oil film barrier.

Oil seals function properly when installed perpendicular to the shaft and when they ride on a smooth plunge ground shaft surface with a finish of 12-20 RMS. In addition, the seal's OD/ID are concentric with the shaft and housing bore; therefore the seal will not pump oil, further ensuring "NO LEAKS".

### AUTOVENT

Gear reducers used in humid environments, washdown applications or dusty areas can be damaged by water or dust (in some cases, in combination with caustic or corrosive fluids) being sucked through the breather plug.

When water mixes with oil, the result is oil foaming, reduced lubricity, oxidation, and a rapid breakdown of oil with damage to bearings. A small amount of water (.04%) in oil can have dramatic effects. Dust is also damaging to bearings.

The Autovent allows us, to a great extent, to keep foreign material out of a reducer. The Autovent is basically a check-valve, which is closed when the pressure differential between the outside and inside of the reducer is less than 2 psi.

When the reducer temperature rises, the resulting pressure increase inside the reducer will be released at approximately 2 psi. The valve stays open until pressure inside the reducer falls below 2 psi. The check valve then closes.

A canopy protects the valve components (either plunger & spring or ball & spring). When the gearbox stops running and cools down, the pressure inside drops and the valve stays tightly closed. The gearbox will then have a slight negative internal pressure. The seals are designed to prevent any material from entering during the entire "heat up/cool down" cycle.

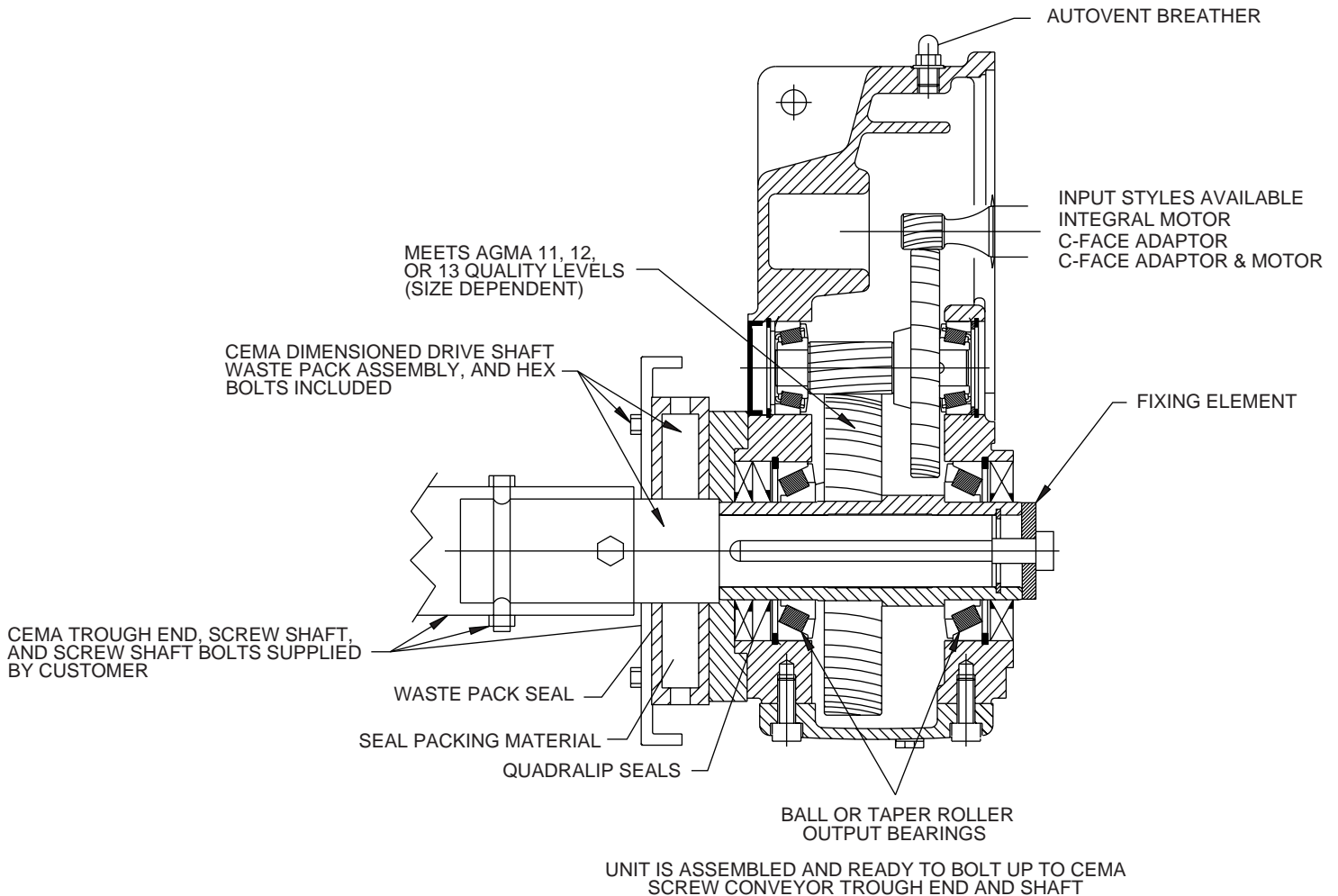
# Nord Screw Conveyor Drive

## General Information

The Nord screw conveyor drive consists of a gearmotor (or speed reducer), CEMA drive shaft, fixing element and waste pack seal assembly. Nord's screw conveyor drives include our standard Quadrilip™ Seal System. Our Quadrilip™ Seal System provides twice the leakage protection offered by conventional double lip seals.

The single piece SAE 30 cast iron housing mounts directly to the CEMA standard trough end of the screw conveyor. Standard ball bearings, or optional tapered roller bearings, in the reducer are conservatively designed to reliably handle the thrust from the screw conveyor. This built-in feature eliminates the external thrust bearings commonly required.

A wide range of ratios are available delivering the exact output speeds required, not just speed ranges. This compact, rugged package supplied fully assembled eliminates the need for field installed belts, pulleys and guards further minimizing the installation costs and time. Maintenance costs often associated with belts and pulleys are eliminated. Safety issues and OSHA compliance associated with belt guards are eliminated.



# Nord Screw Conveyor Drive

## Nomenclature

To determine the correct model number for ordering, first select the gearbox size by finding the RPM and AGMA Class for your application under the "Gear Model" column.

Next, select the appropriate input style of the gearbox. There are two choices listed on each selection page:

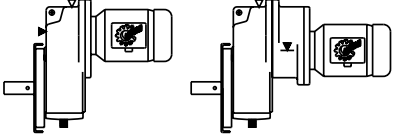
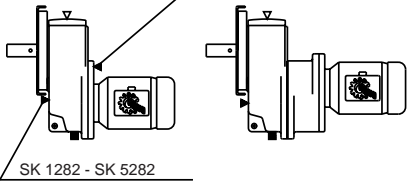
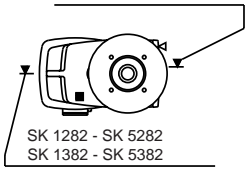
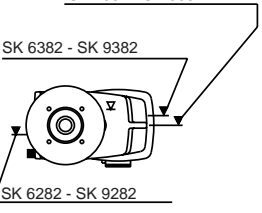
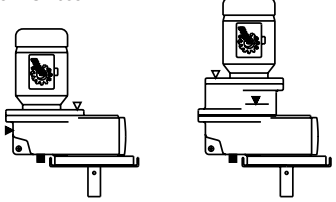
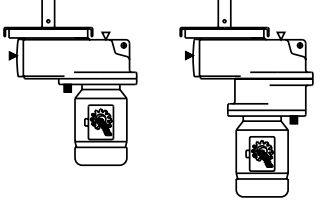
- **Integral Motor** (motor integrally mounted on the gearbox)
- **C-face reducer only** (no motor included)

To order a **C-face motor with C-face reducer** see page 46 for pricing.

Examples:

- |                       |                             |
|-----------------------|-----------------------------|
| SK 2282SC-90S/4       | (Integral Gearmotor)        |
| SK 2282SC-140TC       | (C-face reducer only)       |
| SK 2282SC-140TC-143TC | (C-face reducer with motor) |

## Mounting Positions

HORIZONTAL POSITION		
<p>SK 1282 - SK 9282 SK 6382 - SK 9382</p> <p>SK 1382 - SK 5382</p> 	<p>SK 6282 - SK 9282 SK 6382 - SK 9382</p> <p>SK 1382 - SK 5382</p> <p>SK 1282 - SK 5282</p> 	<p>SK 6282 - SK 9282 SK 6382 - SK 9382</p> <p>SK 1282 - SK 5282 SK 1382 - SK 5382</p> 
<b>H1</b>	<b>H2</b>	<b>H3</b>
VERTICAL POSITION		
<p>SK 1282 - SK 5282 SK 1382 - SK 5382</p> <p>SK 6382 - SK 9382</p> <p>SK 6282 - SK 9282</p> 	<p>SK 1282 - SK 9282 SK 6382 - SK 9382</p> <p>SK 1282 - SK 5382</p> 	<p>SK 1282 - SK 9282 SK 6382 - SK 9382</p> <p>SK 1382 - SK 5382</p> 
<b>H4</b>	<b>H5</b>	<b>H6</b>

SYMBOLS:    ▽ VENT PLUG      ▼ OIL LEVEL      ■ DRAIN PLUG

# Nord Screw Conveyor Drive

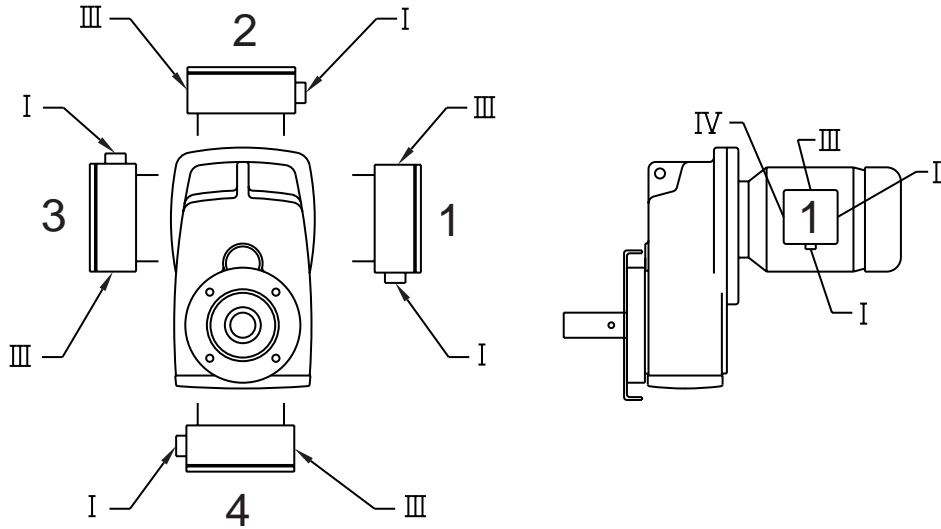
## Position of Terminal Box and Cable Entry

Integral Motor standard is with TERMINAL BOX in Position 1 and CABLE ENTRY in Position 2.

If other positions are required, specify as shown below.

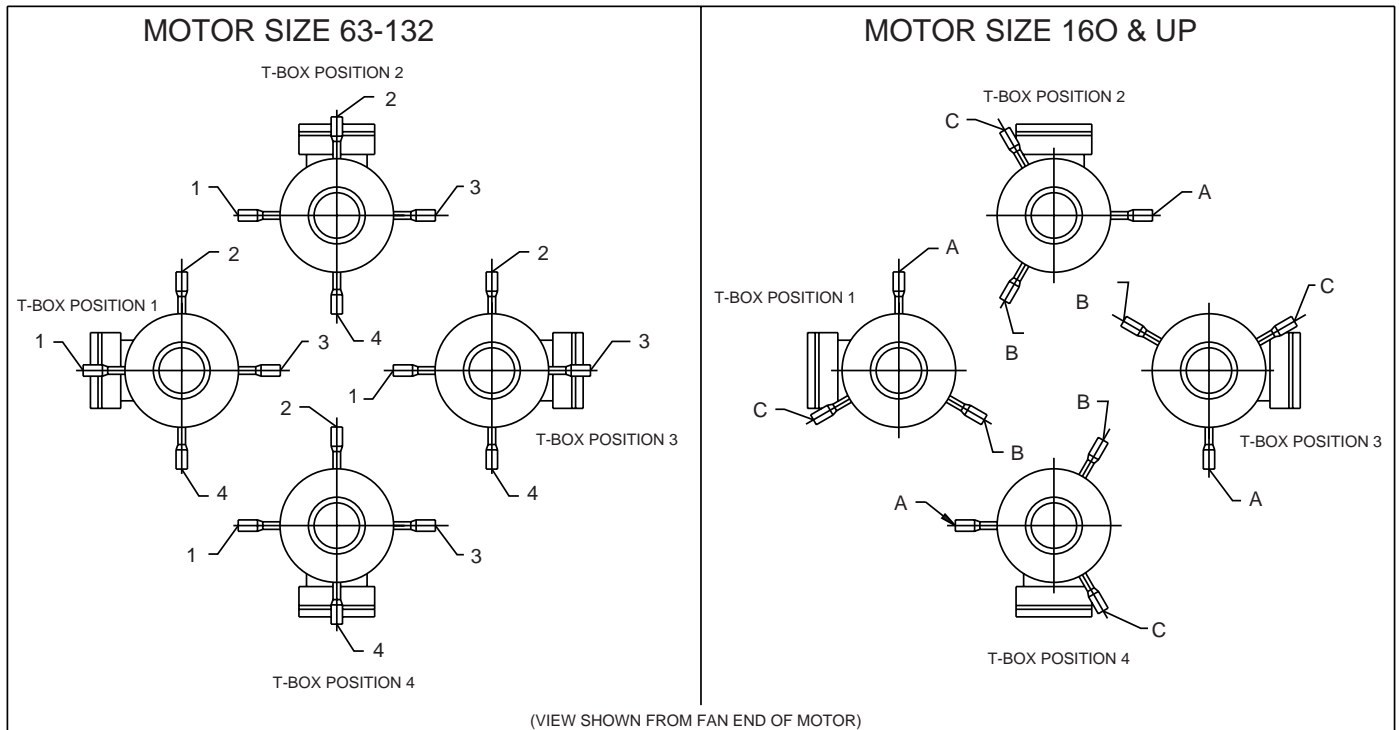
Cable entries on brakemotors only possible at position 2.

C-Face Motor standard is with TERMINAL BOX in Position 3 and CABLE ENTRY in Position 1 or III only.



## Brake Motor Hand Release Positions

Identify hand release position desired



(VIEW SHOWN FROM FAN END OF MOTOR)

# Nord Gear Screw Conveyor

## Approximate Weight (pounds)

### Integral Gearmotor

Unit Size	Motor HP															
	0.33	0.5	0.75	1	1.5	2	3	5	7.5	10	15	20	25	30	40	50
SK 1282SC	52	54	59	63	67	76	89	94								
SK 1382SC	61	63														
SK 2282SC	76	78	83	87	92	100	114	118								
SK 2382SC	92	94	98	103												
SK 3282SC		111	116	120	125	133	147	151	191	215						
SK 3382SC	127	129	133	138	142											
SK 4282SC					158	167	180	184	224	248	323	356				
SK 4382SC	175	178	182	186	191	200	213	217								
SK 5282SC					237	246	259	264	303	328	402	436	497	519		
SK 5382SC			270	275	279	288	301	305	345							
SK 6282SC							449				593	626	688	710	908	
SK 6382SC					421	430	443	447	487	511	586	619	681	703		
SK 7282SC														848	1047	
SK 7382SC							604	608	648	672	747	780	842	864	1062	
SK 8282SC														1141	1339	1361
SK 8382SC									933	958	1033	1066	1128	1150	1348	1370
SK 9282SC																2025
SK 9382SC									1599	1624	1699	1732	1793	1815	2014	2036

Weights shown vary depending on gearbox ratio, mounting position, diameter of output shaft & options.

### C-Face Reducer

Unit Size	Adapter Description						
	56C	140TC	180TC	210TC	250TC	280TC	320TC
SK 1282SC	67	67	96				
SK 1382SC	76	76					
SK 2282SC	91	91	120				
SK 2382SC	107	107					
SK 3282SC	124	124	153				
SK 3382SC	142	142	171				
SK 4282SC	158	158	211	211	233		
SK 4382SC	191	191	219	219			
SK 5282SC	237	237	290	290	332	332	
SK 5382SC	279	279	308	308			
SK 6282SC			491	491	546	546	632
SK 6382SC	421	421	474	474	516	516	
SK 7282SC			630	630	685	685	771
SK 7382SC			646	646	701	701	787
SK 8282SC			922	922	978	978	1064
SK 8382SC			931	931	986	986	1072
SK 9282SC				1586	1641	1641	1727
SK 9382SC				1597	1652	1652	1959

Weights shown vary depending on gearbox ratio, mounting position, diameter of output shaft & options.

# Nord Screw Conveyor Drive

## Lubricant Capacity (Quarts)

for mounting positions see page 3

### Double Reduction Gearboxes

Mounting Position	Gearbox size								
	1282SC	2282SC	3282SC	4282SC	5282SC	6282SC	7282SC	8282SC	9282SC
H1	0.95	1.74	3.33	4.97	7.92	17.96	26.42	39.10	78.20
H2	0.95	2.00	3.43	5.02	7.92	12.68	21.13	31.70	58.12
H3	1.00	1.90	3.33	4.97	7.61	14.79	22.19	32.76	62.34
H4	1.00	1.90	3.33	4.97	7.61	10.57	16.91	32.76	72.91
H5	1.27	2.11	4.33	5.71	9.30	18.49	28.53	43.32	76.08
H6	1.37	2.54	4.33	6.45	9.30	14.79	22.19	34.87	73.97

### Triple Reduction Gearboxes

Mounting Position	Gearbox size								
	1382SC	2382SC	3382SC	4382SC	5382SC	6382SC	7382SC	8382SC	9382SC
H1	1.53	1.80	4.33	6.23	13.21	17.44	23.24	35.93	77.14
H2	1.22	2.01	3.49	5.18	7.08	10.14	16.91	26.42	47.55
H3	1.16	1.59	3.49	5.18	8.77	13.21	20.08	31.70	63.40
H4	1.16	1.59	3.49	5.18	8.77	14.79	24.30	36.98	68.69
H5	1.80	3.28	5.92	8.77	14.79	19.02	26.42	40.15	78.20
H6	1.69	2.74	4.33	7.19	12.68	13.73	21.13	33.81	73.97

Filling quantities are approximate.

Standard lubricant is ISO 220 mineral oil.

Synthetic oil (ISO 220) is available for an extra charge.

**For mounting angles not shown, consult factory.  
Oil fill capacity may be different than shown above.  
Oil level must be checked according to oil-level plug.**

Lubricant should be changed every 10,000 service hours or after two years.

For synthetic oil, lubricant should be changed every 20,000 service hours or after four years.

In case of extreme operating conditions (i.e. high humidity, aggressive environment or large temperature variations) shorter intervals between changes are recommended.

It is advisable to combine the lubricant change with a thorough cleaning of the gear unit.

Bearings filled with grease must be cleaned every 10,000 service hours and filled with fresh grease.

When doing so, ensure that the bearing cavity is packed to about 1/3 full with grease.

# Nord Screw Conveyor Drive

## Integral Motor Performance Data

### Standard 60 Hz Motors

Three phase - 4 poles - 230/460 & 575 Volt

FRAME SIZE	HP	Eff. RPM	power $\eta$ (%)	Current Draw			Torque 575V (A)	$T_n$ (Lb-in)	$T_a/T_n$	$I_a/I_n$	$T_k/T_n$	NEMA CODE
				factor $\cos \phi$	230V (A)	460V (A)						
63L/4	0.50	1685	61	0.64	1.16	0.58	0.46	9.0	2.9	4.2	3	H
71S/4	0.33	1695	63	0.66	1.50	0.75	0.60	12.5	2.4	4.6	2.7	G
71L/4	0.50	1700	72	0.70	1.84	0.92	0.74	18.4	2.7	5.0	2.9	H
80S/4	0.75	1715	77	0.75	2.40	1.20	0.96	27.1	2.8	5.8	3.1	J
80L/4	1	1725	79	0.76	3.15	1.57	1.26	36.7	3.0	6.1	3.3	J
90S/4	1.5	1730	80	0.75	4.60	2.30	1.84	53.7	3.3	7.2	3.9	J
90L/4	2	1735	79	0.77	6.20	3.10	2.50	73	3.5	7.6	4.0	J
100L/4	3	1735	80	0.79	8.70	4.35	3.50	107	3.3	7.8	4.0	J
100L/40	5	1715	82	0.81	14.0	7.00	5.60	182	2.7	6.9	3.2	H
132S/4	7.5	1755	87	0.81	19.6	9.80	7.80	265	2.8	8.3	3.5	H
132M/4	10	1755	88	0.83	25.8	12.9	10.3	361	3.0	8.9	3.8	G
160M/4	15	1760	88	0.85	36.8	18.4	14.7	528	2.8	8.2	3.3	G
160L/4	20	1760	89	0.86	49	24.5	19.6	720	2.8	8.0	3.3	G
180M/4	25	1750	89	0.87	60	30	24	894	2.6	7.4	3.0	G
180L/4	30	1755	89.5	0.87	71	35.5	28.5	1062	2.9	8.0	3.3	F
200L/4	40	1755	92	0.89	91	45	36	1417	2.6	5.8	2.6	F
225S/4	50	1755	91.0	0.83	124	62	50	1768	2.2	6.7	2.2	G

Above motors conform to NEMA B ratings with service factor of 1.15

### Optional High Efficiency Motors

Three phase - 4 poles - 230/460 & 575 Volt

FRAME SIZE	HP	Eff. RPM	power $\eta$ (%)	Current Draw			Torque 575V (A)	$T_n$ (Lb-in)	$T_a/T_n$	$I_a/I_n$	$T_k/T_n$
				factor $\cos \phi$	230V (A)	460V (A)					
80LH/4	1	1750	82.5	0.59	3.15	1.57	1.26	36	4.6	6.0	4.4
90SH/4	1.5	1740	84.0	0.76	4.30	2.15	1.75	53	3.5	6.3	3.8
90LH/4	2	1745	84.0	0.71	6.30	3.15	2.45	73	4.3	6.7	4.5
100LH/4	3	1765	87.5	0.73	8.60	4.30	3.40	105	3.6	7.9	4.6
112MH/4	5	1765	87.5	0.74	14.4	7.20	5.60	177	4.4	8.1	4.6
132SH/4	7.5	1780	89.5	0.74	20.9	10.50	8.30	261	4.3	8.2	4.6
132MH/4	10	1770	89.5	0.78	25.8	12.9	10.3	358	3.2	7.3	4.0

Above motors conform to U.S. and Canadian high efficiency standards.

#### Abbreviation legend:

- $\eta$  =Efficiency of motor (%)
- $\phi$  =Power factor
- $T_n$  =Rated Torque (Lb-in)
- $T_a/T_n$  =Starting torque ratio (multiply x  $T_n$ )
- $I_a/I_n$  =Starting current ratio (multiply x  $I_n$ )
- $T_k/T_n$  =Breakdown torque ratio (multiply x  $T_n$ )

# Drive Selections

# 0.33 HP

OUTPUT SPEED	AGMA CLASS	RED. RATIO	GEAR BOX SIZE	OUTPUT TORQUE	STD. BEARING	H.D. BEARING	INPUT STYLE			
							INTEGRAL MOTOR		C-FACE REDUCER	
							"- 71 S/4"		"56 C"	
n2 [RPM]		i <sub>total</sub>		T <sub>2</sub> [LB-IN.]	THRUST [LBS]	THRUST [LBS]	STD. BRG.	H.D. BRG.	STD. BRG.	H.D. BRG.
310	III	5.47	SK 1282SC	67	1017	1609	\$1334	\$1464	\$1427	\$1557
264	III	6.43	SK 1282SC	79	1087	1609	\$1334	\$1464	\$1427	\$1557
234	III	7.24	SK 1282SC	89	1141	1609	\$1334	\$1464	\$1427	\$1557
206	III	8.21	SK 1282SC	101	1211	1609	\$1334	\$1464	\$1427	\$1557
185	III	9.18	SK 1282SC	112	1260	1609	\$1334	\$1464	\$1427	\$1557
164	III	10.34	SK 1282SC	127	1328	1609	\$1334	\$1464	\$1427	\$1557
144	III	11.76	SK 1282SC	144	1397	1609	\$1334	\$1464	\$1427	\$1557
120	III	14.11	SK 1282SC	173	1505	1609	\$1334	\$1464	\$1427	\$1557
98	III	17.21	SK 1282SC	212	1609	1609	\$1334	\$1464	\$1427	\$1557
82	III	20.57	SK 1282SC	254	1609	1609	\$1334	\$1464	\$1427	\$1557
67	III	25.22	SK 1282SC	310	1609	1609	\$1334	\$1464	\$1427	\$1557
60	III	28.33	SK 1282SC	347	1609	1609	\$1334	\$1464	\$1427	\$1557
53	III	32.08	SK 1282SC	392	1609	1609	\$1334	\$1464	\$1427	\$1557
37	III	46.19	SK 1282SC	562	1609	1609	\$1334	\$1464	\$1427	\$1557
31	III	55.39	SK 1282SC	671	1609	1609	\$1334	\$1464	\$1427	\$1557
25	III	66.23	SK 1282SC	832	1609	1609	\$1334	\$1464	\$1427	\$1557
21	III	82.42	SK 2282SC	990	2700	3375	\$1468	\$1598	\$1623	\$1753
20	II	81.17	SK 1282SC	1044	1609	1609	\$1334	\$1464	\$1427	\$1557
19	III	89.60	SK 3382SC	1095	3263	4500	\$1884	\$2014	\$1987	\$2117
18	II	92.48	SK 1282SC	1159	1609	1609	\$1334	\$1464	\$1427	\$1557
17	III	100.98	SK 2282SC	1223	2700	3375	\$1468	\$1598	\$1623	\$1753
15	III	116.35	SK 2382SC	1387	2700	3375	\$1584	\$1714	\$1714	\$1844
14	I	109.50	SK 1282SC	1487	1609	1609	\$1334	\$1464	\$1427	\$1557
13	I	128.82	SK 1382SC	1602	1609	1609	\$1465	\$1595	\$1470	\$1600
13	II	127.51	SK 2282SC	1600	2700	3375	\$1468	\$1598	\$1623	\$1753
13	III	131.86	SK 2382SC	1600	2700	3375	\$1584	\$1714	\$1714	\$1844
11	III	149.96	SK 2382SC	1891	2700	3375	\$1584	\$1714	\$1714	\$1844
10	I	163.93	SK 1382SC	2080	1609	1609	\$1465	\$1595	\$1470	\$1600
9	II	185.11	SK 2382SC	2311	2700	3375	\$1584	\$1714	\$1714	\$1844
9	III	190.69	SK 3382SC	2311	3263	4500	\$1884	\$2014	\$1987	\$2117
7	II	236.11	SK 2382SC	2971	2700	3375	\$1584	\$1714	\$1714	\$1844
7	III	230.83	SK 3382SC	2971	3263	4500	\$1884	\$2014	\$1987	\$2117
6	I	276.27	SK 2382SC	3466	2700	3375	\$1584	\$1714	\$1714	\$1844
6	III	287.14	SK 3382SC	3466	3263	4500	\$1884	\$2014	\$1987	\$2117
5	I	330.45	SK 2382SC	4160	2700	3375	\$1584	\$1714	\$1714	\$1844
5	III	326.81	SK 4382SC	4160	4950	6750	\$2623	\$2753	\$2842	\$2972
4	II	482.56	SK 3382SC	5200	3263	4500	\$1884	\$2014	\$1987	\$2117
4	III	390.76	SK 4382SC	5200	4950	6750	\$2623	\$2753	\$2842	\$2972
3	II	654.27	SK 4382SC	6933	4950	6750	\$2623	\$2753	\$2842	\$2972
2	I	726.61	SK 3382SC	10399	3263	4500	\$1884	\$2014	\$1987	\$2117
2	I	1129.91	SK 4382SC	10399	4950	6750	\$2623	\$2753	\$2842	\$2972

For NEMA C-Face motor pricing see page 45.

For NSD add \$105 list for INTEGRAL GEARMOTOR and \$65 list for C-FACE REDUCER.

For INTEGRAL MOTOR OPTIONS see page 46.

SELECTIONS

# 0.50 HP

# Drive Selections

OUTPUT SPEED	AGMA CLASS	RED. RATIO	GEAR MODEL	OUTPUT TORQUE	STD. BEARING	H.D. BEARING	INPUT STYLE			
							INTEGRAL MOTOR		C-FACE REDUCER	
							"- 71 S/4"		"56 C"	
n2 [RPM]		i <sub>total</sub>		T <sub>2</sub> [LB-IN.]	THRUST [LBS]	THRUST [LBS]	STD. BRG.	H.D. BRG.	STD. BRG.	H.D. BRG.
311	III	5.47	SK 1282SC	101	1004	1609	\$1345	\$1475	\$1427	\$1557
297	III	5.72	SK 2282SC	106	1550	1938	\$1478	\$1608	\$1623	\$1753
264	III	6.43	SK 1282SC	119	1071	1609	\$1345	\$1475	\$1427	\$1557
235	III	7.24	SK 1282SC	134	1127	1609	\$1345	\$1475	\$1427	\$1557
207	III	8.21	SK 1282SC	152	1190	1609	\$1345	\$1475	\$1427	\$1557
185	III	9.18	SK 1282SC	170	1240	1609	\$1345	\$1475	\$1427	\$1557
164	III	10.34	SK 1282SC	192	1303	1609	\$1345	\$1475	\$1427	\$1557
144	III	11.81	SK 2282SC	219	2122	2652	\$1478	\$1608	\$1623	\$1753
128	III	13.23	SK 2282SC	246	2700	3375	\$1478	\$1608	\$1623	\$1753
120	III	14.11	SK 1282SC	263	1474	1609	\$1345	\$1475	\$1427	\$1557
103	III	16.53	SK 2282SC	306	2440	3050	\$1478	\$1608	\$1623	\$1753
99	III	17.21	SK 1282SC	318	1598	1609	\$1345	\$1475	\$1427	\$1557
92	III	18.51	SK 2282SC	343	2555	3194	\$1478	\$1608	\$1623	\$1753
83	III	20.57	SK 1282SC	380	1609	1609	\$1345	\$1475	\$1427	\$1557
80	III	21.38	SK 3282SC	394	3177	4381	\$1744	\$1874	\$1930	\$2060
78	III	21.90	SK 2282SC	404	2700	3375	\$1478	\$1608	\$1623	\$1753
76	III	22.45	SK 3282SC	415	3263	4500	\$1744	\$1874	\$1930	\$2060
71	III	23.96	SK 2282SC	444	2700	3375	\$1478	\$1608	\$1623	\$1753
68	III	24.97	SK 2282SC	463	2700	3375	\$1478	\$1608	\$1623	\$1753
66	III	25.72	SK 1282SC	477	1609	1609	\$1345	\$1475	\$1427	\$1557
63	III	26.83	SK 2282SC	500	2700	3375	\$1478	\$1608	\$1623	\$1753
60	III	28.33	SK 1282SC	525	1609	1609	\$1345	\$1475	\$1427	\$1557
57	III	29.65	SK 2282SC	553	2700	3375	\$1478	\$1608	\$1623	\$1753
53	III	32.08	SK 1282SC	595	1609	1609	\$1345	\$1475	\$1427	\$1557
46	III	37.18	SK 2282SC	685	2700	3375	\$1478	\$1608	\$1623	\$1753
41	III	41.07	SK 1282SC	769	1609	1609	\$1345	\$1475	\$1427	\$1557
37	III	46.19	SK 1282SC	852	1609	1609	\$1345	\$1475	\$1427	\$1557
35	III	49.25	SK 1282SC	900	1609	1609	\$1345	\$1475	\$1427	\$1557
31	III	55.39	SK 1282SC	1017	1609	1609	\$1345	\$1475	\$1427	\$1557
29	III	58.89	SK 1282SC	1087	1609	1609	\$1345	\$1475	\$1427	\$1557
26	II	66.23	SK 1282SC	1212	1609	1609	\$1345	\$1475	\$1427	\$1557
24	II	72.17	SK 1282SC	1313	1609	1609	\$1345	\$1475	\$1427	\$1557
24	III	69.67	SK 2282SC	1313	2700	3375	\$1478	\$1608	\$1623	\$1753
21	I	81.17	SK 1282SC	1501	1609	1609	\$1345	\$1475	\$1427	\$1557
21	III	82.42	SK 2282SC	1501	2700	3375	\$1478	\$1608	\$1623	\$1753
20	III	86.83	SK 4382SC	1576	4950	6750	\$2633	\$2763	\$2842	\$2972

For NEMA C-Face motor pricing see page 45.

For NSD add \$105 list for INTEGRAL GEARMOTOR and \$65 list for C-FACE REDUCER.

For INTEGRAL MOTOR OPTIONS see page 46.

# Drive Selections

# 0.50 HP

OUTPUT SPEED	AGMA CLASS	RED. RATIO	GEAR MODEL	OUTPUT TORQUE	STD. BEARING	H.D. BEARING	INPUT STYLE			
							INTEGRAL MOTOR		C-FACE REDUCER	
							"- 71 S/4"		"56 C"	
n2 [RPM]		i <sub>total</sub>		T <sub>2</sub> [LB-IN.]	THRUST [LBS]	THRUST [LBS]	STD. BRG.	H.D. BRG.	STD. BRG.	H.D. BRG.
19	III	89.60	SK 3382SC	1659	3263	4500	\$1893	\$2023	\$1987	\$2117
19	III	91.71	SK 5382SC	1659	6507	9000	\$3590	\$3740	\$3935	\$4085
18	I	92.48	SK 1282SC	1751	1609	1609	\$1345	\$1475	\$1427	\$1557
17	II	100.98	SK 2282SC	1854	2700	3375	\$1478	\$1608	\$1623	\$1753
17	III	98.35	SK 2382SC	1854	2700	3375	\$1593	\$1723	\$1714	\$1844
16	I	105.11	SK 1382SC	1970	1609	1609	\$1474	\$1604	\$1470	\$1600
16	II	104.07	SK 2282SC	1970	2700	3375	\$1478	\$1608	\$1623	\$1753
16	III	103.82	SK 4382SC	1970	4950	6750	\$2633	\$2763	\$2842	\$2972
16	III	104.05	SK 3382SC	1970	3263	4500	\$1893	\$2023	\$1987	\$2117
15	II	116.35	SK 2382SC	2101	2700	3375	\$1593	\$1723	\$1714	\$1844
15	III	112.23	SK 3282SC	2101	3263	4500	\$1744	\$1874	\$1930	\$2060
14	III	118.83	SK 4382SC	2251	4950	6750	\$2633	\$2763	\$2842	\$2972
13	I	127.51	SK 2282SC	2424	2700	3375	\$1478	\$1608	\$1623	\$1753
13	II	131.86	SK 2382SC	2424	2700	3375	\$1593	\$1723	\$1714	\$1844
13	III	126.93	SK 3382SC	2424	3263	4500	\$1893	\$2023	\$1987	\$2117
12	III	140.60	SK 4382SC	2626	4950	6750	\$2633	\$2763	\$2842	\$2972
11	I	149.96	SK 2382SC	2865	2700	3375	\$1593	\$1723	\$1714	\$1844
11	III	160.20	SK 4382SC	2865	4950	6750	\$2633	\$2763	\$2842	\$2972
11	III	161.46	SK 3382SC	2865	3263	4500	\$1893	\$2023	\$1987	\$2117
10	III	171.27	SK 5382SC	3151	7200	9000	\$3590	\$3740	\$3935	\$4085
9	I	185.11	SK 2382SC	3501	2700	3375	\$1593	\$1723	\$1714	\$1844
9	III	190.69	SK 3382SC	3501	3263	4500	\$1893	\$2023	\$1987	\$2117
8	III	202.57	SK 5382SC	3939	7200	9000	\$3590	\$3740	\$3935	\$4085
7	II	230.83	SK 3382SC	4502	3263	4500	\$1893	\$2023	\$1987	\$2117
7	III	248.70	SK 5382SC	4502	7200	9000	\$3590	\$3740	\$3935	\$4085
6	II	287.14	SK 3382SC	5252	3263	4500	\$1893	\$2023	\$1987	\$2117
6	III	272.54	SK 4382SC	5252	4950	6750	\$2633	\$2763	\$2842	\$2972
5	III	326.81	SK 4382SC	6303	4950	6750	\$2633	\$2763	\$2842	\$2972
4	I	482.56	SK 3382SC	7878	3263	4500	\$1893	\$2023	\$1987	\$2117
4	II	390.76	SK 4382SC	7878	4950	6750	\$2633	\$2763	\$2842	\$2972
3	II	532.44	SK 4382SC	10504	4950	6750	\$2633	\$2763	\$2842	\$2972

For NEMA C-Face motor pricing see page 45.

For NSD add \$105 list for INTEGRAL GEARMOTOR and \$65 list for C-FACE REDUCER.

For INTEGRAL MOTOR OPTIONS see page 46.

SELECTIONS

# 0.75 HP

# Drive Selections

OUTPUT SPEED	AGMA CLASS	RED. RATIO	GEAR MODEL	OUTPUT TORQUE	STD. BEARING	H.D. BEARING	INPUT STYLE			
							INTEGRAL MOTOR		C-FACE REDUCER	
							"- 80 S/4"		"56 C"	
n2 [RPM]		i <sub>total</sub>		T <sub>2</sub> [LB-IN.]	THRUST [LBS]	THRUST [LBS]	STD. BRG.	H.D. BRG.	STD. BRG.	H.D. BRG.
314	III	5.47	SK 1282SC	151	988	1609	\$1391	\$1521	\$1427	\$1557
300	III	5.72	SK 2282SC	158	1542	1927	\$1523	\$1653	\$1623	\$1753
267	III	6.43	SK 1282SC	177	1051	1609	\$1391	\$1521	\$1427	\$1557
237	III	7.24	SK 1282SC	199	1098	1609	\$1391	\$1521	\$1427	\$1557
229	III	7.48	SK 2282SC	206	1722	2152	\$1523	\$1653	\$1623	\$1753
209	III	8.21	SK 1282SC	226	1166	1609	\$1391	\$1521	\$1427	\$1557
205	III	8.37	SK 2282SC	231	1802	2252	\$1523	\$1653	\$1623	\$1753
190	III	9.03	SK 2282SC	249	1866	2332	\$1523	\$1653	\$1623	\$1753
187	III	9.18	SK 1282SC	253	1211	1609	\$1391	\$1521	\$1427	\$1557
169	III	10.15	SK 2282SC	280	1957	2446	\$1523	\$1653	\$1623	\$1753
166	III	10.34	SK 1282SC	285	1267	1609	\$1391	\$1521	\$1427	\$1557
146	III	11.76	SK 1282SC	324	1330	1609	\$1391	\$1521	\$1427	\$1557
145	III	11.81	SK 2282SC	326	2080	2600	\$1523	\$1653	\$1623	\$1753
130	III	13.23	SK 2282SC	364	2177	2721	\$1523	\$1653	\$1623	\$1753
122	III	14.11	SK 1282SC	387	1424	1609	\$1391	\$1521	\$1427	\$1557
104	III	16.53	SK 2282SC	455	2700	3375	\$1523	\$1653	\$1623	\$1753
100	III	17.21	SK 1282SC	473	1537	1609	\$1391	\$1521	\$1427	\$1557
93	III	18.51	SK 2282SC	508	2700	3375	\$1523	\$1653	\$1623	\$1753
85	III	20.18	SK 3282SC	556	3077	4236	\$1790	\$1920	\$1930	\$2060
83	III	20.57	SK 1282SC	570	1609	1609	\$1391	\$1521	\$1427	\$1557
80	III	21.38	SK 3282SC	591	3142	4333	\$1790	\$1920	\$1930	\$2060
78	III	21.90	SK 2282SC	606	2700	3375	\$1523	\$1653	\$1623	\$1753
76	III	22.45	SK 3282SC	622	3263	4500	\$1790	\$1920	\$1930	\$2060
72	III	23.96	SK 2282SC	657	2700	3375	\$1523	\$1653	\$1623	\$1753
69	III	24.97	SK 2282SC	685	2700	3375	\$1523	\$1653	\$1623	\$1753
68	III	25.22	SK 1282SC	695	1609	1609	\$1391	\$1521	\$1427	\$1557
66	III	25.88	SK 3282SC	716	3263	4500	\$1790	\$1920	\$1930	\$2060
64	III	26.83	SK 2282SC	739	2700	3375	\$1523	\$1653	\$1623	\$1753
61	III	28.33	SK 1282SC	775	1609	1609	\$1391	\$1521	\$1427	\$1557
60	III	28.70	SK 3282SC	788	3263	4500	\$1790	\$1920	\$1930	\$2060
58	III	29.65	SK 2282SC	815	2700	3375	\$1523	\$1653	\$1623	\$1753
54	III	31.93	SK 3282SC	875	3263	4500	\$1790	\$1920	\$1930	\$2060
53	III	32.08	SK 1282SC	892	1609	1609	\$1391	\$1521	\$1427	\$1557
46	III	37.18	SK 2282SC	1028	2700	3375	\$1523	\$1653	\$1623	\$1753
45	III	37.77	SK 3282SC	1050	3263	4500	\$1790	\$1920	\$1930	\$2060
42	II	41.07	SK 1282SC	1125	1609	1609	\$1391	\$1521	\$1427	\$1557
41	III	42.02	SK 3282SC	1153	3263	4500	\$1790	\$1920	\$1930	\$2060

For NEMA C-Face motor pricing see page 45.

For NSD add \$105 list for INTEGRAL GEARMOTOR and \$65 list for C-FACE REDUCER.

For INTEGRAL MOTOR OPTIONS see page 46.

# Drive Selections

# 0.75 HP

SELECTIONS

OUTPUT SPEED	AGMA CLASS	RED. RATIO	GEAR MODEL	OUTPUT TORQUE	STD. BEARING	H.D. BEARING	INPUT STYLE			
							INTEGRAL MOTOR		C-FACE REDUCER	
							"- 80 S/4"		"56 C"	
n2 [RPM]		i <sub>total</sub>		T <sub>2</sub> [LB-IN.]	THRUST [LBS]	THRUST [LBS]	STD. BRG.	H.D. BRG.	STD. BRG.	H.D. BRG.
38	III	45.11	SK 2282SC	1244	2700	3375	\$1523	\$1653	\$1623	\$1753
36	III	48.04	SK 3282SC	1313	3263	4500	\$1790	\$1920	\$1930	\$2060
35	II	49.25	SK 1282SC	1351	1609	1609	\$1391	\$1521	\$1427	\$1557
32	III	53.96	SK 2282SC	1477	2700	3375	\$1523	\$1653	\$1623	\$1753
31	III	55.79	SK 3282SC	1525	3263	4500	\$1790	\$1920	\$1930	\$2060
29	II	58.89	SK 1282SC	1630	1609	1609	\$1391	\$1521	\$1427	\$1557
27	III	63.83	SK 2282SC	1751	2700	3375	\$1523	\$1653	\$1623	\$1753
26	III	65.89	SK 3282SC	1818	3263	4500	\$1790	\$1920	\$1930	\$2060
25	III	69.67	SK 2282SC	1891	2700	3375	\$1523	\$1653	\$1623	\$1753
24	I	72.17	SK 1282SC	1970	1609	1609	\$1391	\$1521	\$1427	\$1557
17	I	100.98	SK 2282SC	2781	2700	3375	\$1523	\$1653	\$1623	\$1753
17	II	98.35	SK 2382SC	2781	2700	3375	\$1631	\$1761	\$1714	\$1844
16	I	104.07	SK 2282SC	2954	2700	3375	\$1523	\$1653	\$1623	\$1753
16	III	104.05	SK 3382SC	2954	3263	4500	\$1935	\$2065	\$1987	\$2117
15	I	116.35	SK 2382SC	3151	2700	3375	\$1631	\$1761	\$1714	\$1844
15	III	112.23	SK 3282SC	3151	3263	4500	\$1790	\$1920	\$1930	\$2060
14	II	126.93	SK 3382SC	3376	3263	4500	\$1935	\$2065	\$1987	\$2117
14	III	118.38	SK 4382SC	3376	4950	6750	\$2679	\$2809	\$2842	\$2972
13	I	131.86	SK 2382SC	3636	2700	3375	\$1631	\$1761	\$1714	\$1844
12	III	140.60	SK 4382SC	3939	4950	6750	\$2679	\$2809	\$2842	\$2972
11	II	161.46	SK 3382SC	4297	3263	4500	\$1935	\$2065	\$1987	\$2117
11	III	160.20	SK 4382SC	4297	4950	6750	\$2679	\$2809	\$2842	\$2972
10	III	171.27	SK 5382SC	4727	7200	9000	\$3637	\$3787	\$3935	\$4085
9	II	190.69	SK 3382SC	5252	3263	4500	\$1935	\$2065	\$1987	\$2117
9	III	191.57	SK 4382SC	5252	4950	6750	\$2679	\$2809	\$2842	\$2972
8	III	202.57	SK 5382SC	5909	7200	9000	\$3637	\$3787	\$3935	\$4085
7	I	230.83	SK 3382SC	6753	3263	4500	\$1935	\$2065	\$1987	\$2117
7	III	253.12	SK 4382SC	6753	4950	6750	\$2679	\$2809	\$2842	\$2972
6	II	302.65	SK 4382SC	7878	4950	6750	\$2679	\$2809	\$2842	\$2972
6	III	269.90	SK 5382SC	7878	7200	9000	\$3637	\$3787	\$3935	\$4085
5	II	344.84	SK 4382SC	9454	4950	6750	\$2679	\$2809	\$2842	\$2972
5	III	331.48	SK 5382SC	9454	7200	9000	\$3637	\$3787	\$3935	\$4085
4	I	390.76	SK 4382SC	11817	4950	6750	\$2679	\$2809	\$2842	\$2972
4	III	427.79	SK 5382SC	11817	7200	9000	\$3637	\$3787	\$3935	\$4085
3	II	570.18	SK 5382SC	15756	7200	9000	\$3637	\$3787	\$3935	\$4085
2	I	700.03	SK 5382SC	23634	7200	9000	\$3637	\$3787	\$3935	\$4085

For NEMA C-Face motor pricing see page 45.

Add for NSD:

SK 1282SC-SK 4382SC.....\$105 list for INTEGRAL GEARMOTOR and \$65 list for C-FACE REDUCER

SK 5382SC.....\$125 list for INTEGRAL GEARMOTOR and \$75 list for C-FACE REDUCER

For INTEGRAL MOTOR OPTIONS see page 46.

# 1.0 HP

# Drive Selections

OUTPUT SPEED	AGMA CLASS	RED. RATIO	GEAR MODEL	OUTPUT TORQUE	STD. BEARING	H.D. BEARING	INPUT STYLE			
							INTEGRAL MOTOR		C-FACE REDUCER	
							"- 80 L/4"		"56 C"	
n2 [RPM]		i <sub>total</sub>		T <sub>2</sub> [LB-IN.]	THRUST [LBS]	THRUST [LBS]	STD. BRG.	H.D. BRG.	STD. BRG.	H.D. BRG.
315	III	5.47	SK 1282SC	200	968	1609	\$1401	\$1531	\$1427	\$1557
302	III	5.72	SK 2282SC	209	1525	1906	\$1533	\$1663	\$1623	\$1753
268	III	6.43	SK 2282SC	235	1600	2000	\$1533	\$1663	\$1623	\$1753
268	III	6.43	SK 1282SC	235	1028	1609	\$1401	\$1531	\$1427	\$1557
238	III	7.24	SK 1282SC	265	1076	1609	\$1401	\$1531	\$1427	\$1557
231	III	7.48	SK 2282SC	273	1701	2125	\$1533	\$1663	\$1623	\$1753
210	III	8.21	SK 1282SC	300	1139	1609	\$1401	\$1531	\$1427	\$1557
206	III	8.37	SK 2282SC	306	1779	2223	\$1533	\$1663	\$1623	\$1753
191	III	9.03	SK 2282SC	330	1840	2300	\$1533	\$1663	\$1623	\$1753
188	III	9.18	SK 1282SC	335	1177	1609	\$1401	\$1531	\$1427	\$1557
170	III	10.15	SK 2282SC	371	1929	2411	\$1533	\$1663	\$1623	\$1753
167	III	10.34	SK 1282SC	377	1235	1609	\$1401	\$1531	\$1427	\$1557
147	III	11.76	SK 1282SC	429	1289	1609	\$1401	\$1531	\$1427	\$1557
146	III	11.81	SK 2282SC	432	2048	2560	\$1533	\$1663	\$1623	\$1753
130	III	13.23	SK 2282SC	485	2140	2675	\$1533	\$1663	\$1623	\$1753
122	III	14.11	SK 1282SC	517	1382	1609	\$1401	\$1531	\$1427	\$1557
104	III	16.53	SK 2282SC	606	2700	3375	\$1533	\$1663	\$1623	\$1753
103	III	16.67	SK 3282SC	612	2804	3867	\$1800	\$1930	\$1930	\$2060
100	III	17.21	SK 1282SC	630	1483	1609	\$1401	\$1531	\$1427	\$1557
93	III	18.51	SK 2282SC	678	2700	3375	\$1533	\$1663	\$1623	\$1753
85	III	20.18	SK 3282SC	741	3028	4175	\$1800	\$1930	\$1930	\$2060
84	III	20.57	SK 1282SC	750	1564	1609	\$1401	\$1531	\$1427	\$1557
81	III	21.38	SK 3282SC	778	3095	4268	\$1800	\$1930	\$1930	\$2060
79	III	21.90	SK 2282SC	798	2700	3375	\$1533	\$1663	\$1623	\$1753
77	III	22.45	SK 3282SC	819	3160	4358	\$1800	\$1930	\$1930	\$2060
73	III	23.71	SK 3282SC	863	3263	4500	\$1800	\$1930	\$1930	\$2060
72	III	23.96	SK 2282SC	875	2700	3375	\$1533	\$1663	\$1623	\$1753
69	III	24.97	SK 2282SC	913	2700	3375	\$1533	\$1663	\$1623	\$1753
68	III	25.22	SK 1282SC	927	1609	1609	\$1401	\$1531	\$1427	\$1557
67	III	25.88	SK 3282SC	941	3263	4500	\$1800	\$1930	\$1930	\$2060
64	III	26.83	SK 2282SC	985	2700	3375	\$1533	\$1663	\$1623	\$1753
61	II	28.33	SK 1282SC	1033	1609	1609	\$1401	\$1531	\$1427	\$1557
60	III	28.70	SK 3282SC	1050	3263	4500	\$1800	\$1930	\$1930	\$2060
58	III	29.65	SK 2282SC	1087	2700	3375	\$1533	\$1663	\$1623	\$1753
54	II	32.08	SK 1282SC	1167	1609	1609	\$1401	\$1531	\$1427	\$1557
54	III	31.93	SK 3282SC	1167	3263	4500	\$1800	\$1930	\$1930	\$2060
46	III	37.18	SK 2282SC	1370	2700	3375	\$1533	\$1663	\$1623	\$1753
42	I	41.07	SK 1282SC	1501	1609	1609	\$1401	\$1531	\$1427	\$1557
41	III	42.02	SK 3282SC	1537	3263	4500	\$1800	\$1930	\$1930	\$2060
38	III	45.11	SK 2282SC	1659	2700	3375	\$1533	\$1663	\$1623	\$1753
36	III	48.04	SK 3282SC	1751	3263	4500	\$1800	\$1930	\$1930	\$2060

For NEMA C-Face motors see page 45.

For NSD add \$105 list for INTEGRAL MOTOR and \$65 list for C-FACE REDUCER.

For INTEGRAL MOTOR OPTIONS see page 46.

# Drive Selections

# 1.0 HP

SELECTIONS

OUTPUT SPEED	AGMA CLASS	RED. RATIO	GEAR MODEL	OUTPUT TORQUE	STD. BEARING	H.D. BEARING	INPUT STYLE			
							INTEGRAL MOTOR		C-FACE REDUCER	
							"- 80 L/4"		"56 C"	
n2 [RPM]		i <sub>total</sub>		T <sub>2</sub> [LB-IN.]	THRUST [LBS]	THRUST [LBS]	STD. BRG.	H.D. BRG.	STD. BRG.	H.D. BRG.
35	I	49.25	SK 1282SC	1801	1609	1609	\$1401	\$1531	\$1427	\$1557
32	III	53.96	SK 2282SC	1970	2700	3375	\$1533	\$1663	\$1623	\$1753
31	III	55.79	SK 3282SC	2033	3263	4500	\$1800	\$1930	\$1930	\$2060
29	I	58.89	SK 1282SC	2173	1609	1609	\$1401	\$1531	\$1427	\$1557
27	II	63.83	SK 2282SC	2334	2700	3375	\$1533	\$1663	\$1623	\$1753
26	III	65.89	SK 3282SC	2424	3263	4500	\$1800	\$1930	\$1930	\$2060
25	II	69.97	SK 2282SC	2521	2700	3375	\$1533	\$1663	\$1623	\$1753
24	II	70.56	SK 3282SC	2626	3263	4500	\$1800	\$1930	\$1930	\$2060
22	III	79.76	SK 3282SC	2865	3263	4500	\$1800	\$1930	\$1930	\$2060
21	I	82.42	SK 2282SC	3001	2700	3375	\$1533	\$1663	\$1623	\$1753
21	III	82.72	SK 5382SC	3001	7200	9000	\$3647	\$3797	\$3935	\$4085
20	III	86.83	SK 4382SC	3151	4950	6750	\$2690	\$2820	\$2842	\$2972
19	II	89.60	SK 3382SC	3317	3263	4500	\$1944	\$2074	\$1987	\$2117
19	III	88.74	SK 3282SC	3317	3263	4500	\$1800	\$1930	\$1930	\$2060
18	I	98.35	SK 2382SC	3501	2700	3375	\$1640	\$1770	\$1714	\$1844
17	II	100.88	SK 3282SC	3707	3263	4500	\$1800	\$1930	\$1930	\$2060
17	III	103.82	SK 4382SC	3707	4950	6750	\$2690	\$2820	\$2842	\$2972
15	II	112.23	SK 3282SC	4202	3263	4500	\$1800	\$1930	\$1930	\$2060
15	III	118.38	SK 4382SC	4202	4950	6750	\$2690	\$2820	\$2842	\$2972
14	II	126.93	SK 3382SC	4502	3263	4500	\$1944	\$2074	\$1987	\$2117
12	III	140.60	SK 4382SC	5252	4950	6750	\$2690	\$2820	\$2842	\$2972
11	I	161.46	SK 3382SC	5730	3263	4500	\$1944	\$2074	\$1987	\$2117
11	III	160.20	SK 4382SC	5730	4950	6750	\$2690	\$2820	\$2842	\$2972
11	III	153.92	SK 5382SC	5730	7200	9000	\$3647	\$3797	\$3935	\$4085
10	III	171.27	SK 5382SC	6303	7200	9000	\$3647	\$3797	\$3935	\$4085
9	I	190.69	SK 3382SC	7003	3263	4500	\$1944	\$2074	\$1987	\$2117
9	III	191.57	SK 4382SC	7003	4950	6750	\$2690	\$2820	\$2842	\$2972
9	III	202.57	SK 5382SC	7003	7200	9000	\$3647	\$3797	\$3935	\$4085
8	II	211.09	SK 4382SC	7878	4950	6750	\$2690	\$2820	\$2842	\$2972
7	II	253.12	SK 4382SC	9004	4950	6750	\$2690	\$2820	\$2842	\$2972
7	III	248.70	SK 5382SC	9004	7200	9000	\$3647	\$3797	\$3935	\$4085
6	I	272.54	SK 4382SC	10504	4950	6750	\$2690	\$2820	\$2842	\$2972
6	II	302.65	SK 4382SC	10504	4950	6750	\$2690	\$2820	\$2842	\$2972
6	III	269.99	SK 5382SC	10504	7200	9000	\$3647	\$3797	\$3935	\$4085
5	I	326.81	SK 4382SC	12605	4950	6750	\$2690	\$2820	\$2842	\$2972
5	I	344.84	SK 4382SC	12605	4950	6750	\$2690	\$2820	\$2842	\$2972
5	II	331.48	SK 5382SC	12605	7200	9000	\$3647	\$3797	\$3935	\$4085
4	II	427.79	SK 5382SC	15756	7200	9000	\$3647	\$3797	\$3935	\$4085
3	I	525.20	SK 5382SC	21008	7200	9000	\$3647	\$3797	\$3935	\$4085
3	I	570.18	SK 5382SC	21008	7200	9000	\$3647	\$3797	\$3935	\$4085

For NEMA C-Face motors see page 45.

For NSD add:

SK 1282SC-SK 4382SC.....\$105 list for INTEGRAL GEARMOTOR and \$65 list for C-FACE REDUCER

SK 5382SC.....\$125 list for INTEGRAL GEARMOTOR and \$75 list for C-FACE REDUCER

For INTEGRAL MOTOR OPTIONS see page 46.

# 1.5 HP

# Drive Selections

OUTPUT SPEED	AGMA CLASS	RED. RATIO	GEAR MODEL	OUTPUT TORQUE	STD. BEARING	H.D. BEARING	INPUT STYLE			
							INTEGRAL MOTOR		C-FACE REDUCER	
							"- 90 S/4"		"140 TC"	
n2 [RPM]		i <sub>total</sub>		T <sub>2</sub> [LB-IN.]	THRUST [LBS]	THRUST [LBS]	STD. BRG.	H.D. BRG.	STD. BRG.	H.D. BRG.
316	III	5.47	SK 1282SC	299	929	1609	\$1459	\$1589	\$1427	\$1557
302	III	5.72	SK 2282SC	313	1492	1865	\$1589	\$1719	\$1623	\$1753
285	III	6.06	SK 4282SC	332	2633	3590	\$2356	\$2486	\$2712	\$2842
269	III	6.43	SK 1282SC	351	983	1609	\$1459	\$1589	\$1427	\$1557
258	III	6.70	SK 3282SC	366	1895	2613	\$1858	\$1988	\$1930	\$2060
243	III	7.13	SK 4282SC	389	2815	3839	\$2356	\$2486	\$2712	\$2842
239	III	7.24	SK 1282SC	396	1022	1609	\$1459	\$1589	\$1427	\$1557
231	III	7.48	SK 2282SC	409	1655	2069	\$1589	\$1719	\$1623	\$1753
210	III	8.24	SK 1282SC	450	1071	1609	\$1459	\$1589	\$1427	\$1557
208	III	8.31	SK 3282SC	455	2065	2848	\$1858	\$1988	\$1930	\$2060
207	III	8.37	SK 2282SC	457	1728	2160	\$1589	\$1719	\$1623	\$1753
192	III	9.03	SK 2282SC	492	1790	2238	\$1589	\$1719	\$1623	\$1753
188	III	9.18	SK 1282SC	503	1116	1609	\$1459	\$1589	\$1427	\$1557
177	III	9.80	SK 3282SC	534	2211	3049	\$1858	\$1988	\$1930	\$2060
170	III	10.15	SK 2282SC	556	1872	2340	\$1589	\$1719	\$1623	\$1753
167	III	10.34	SK 1282SC	566	1163	1609	\$1459	\$1589	\$1427	\$1557
159	III	10.85	SK 4282SC	595	3355	4575	\$2356	\$2486	\$2712	\$2842
152	III	11.38	SK 3282SC	622	2348	3238	\$1858	\$1988	\$1930	\$2060
147	III	11.76	SK 1282SC	643	1211	1609	\$1459	\$1589	\$1427	\$1557
136	III	12.68	SK 4282SC	695	3575	4875	\$2356	\$2486	\$2712	\$2842
131	III	13.23	SK 2282SC	722	2065	2581	\$1589	\$1719	\$1623	\$1753
123	III	14.11	SK 1282SC	769	1289	1609	\$1459	\$1589	\$1427	\$1557
114	III	15.20	SK 4282SC	829	3854	5255	\$2356	\$2486	\$2712	\$2842
105	III	16.53	SK 2282SC	900	2700	3375	\$1589	\$1719	\$1623	\$1753
104	III	16.67	SK 3282SC	909	2725	3758	\$1858	\$1988	\$1930	\$2060
101	III	17.21	SK 1282SC	936	1368	1609	\$1459	\$1589	\$1427	\$1557
95	III	18.18	SK 4282SC	995	4142	5648	\$2356	\$2486	\$2712	\$2842
93	III	18.51	SK 2282SC	1017	2700	3375	\$1589	\$1719	\$1623	\$1753
86	III	20.18	SK 3282SC	1099	2935	4048	\$1858	\$1988	\$1930	\$2060
84	II	20.57	SK 1282SC	1125	1429	1609	\$1459	\$1589	\$1427	\$1557
81	III	21.38	SK 3282SC	1167	2993	4128	\$1858	\$1988	\$1930	\$2060
79	III	21.90	SK 2282SC	1197	2700	3375	\$1589	\$1719	\$1623	\$1753
77	III	22.45	SK 3282SC	1228	3057	4215	\$1858	\$1988	\$1930	\$2060
73	III	23.71	SK 3282SC	1295	3263	4500	\$1858	\$1988	\$1930	\$2060
72	III	23.96	SK 2282SC	1313	2700	3375	\$1589	\$1719	\$1623	\$1753
69	II	25.22	SK 1282SC	1370	1514	1609	\$1459	\$1589	\$1427	\$1557
69	III	24.97	SK 2282SC	1370	2700	3375	\$1589	\$1719	\$1623	\$1753
67	III	25.88	SK 3282SC	1411	3263	4500	\$1858	\$1988	\$1930	\$2060
66	III	26.25	SK 4282SC	1432	4805	6552	\$2356	\$2486	\$2712	\$2842
64	III	26.83	SK 2282SC	1477	2700	3375	\$1589	\$1719	\$1623	\$1753
61	I	28.33	SK 1282SC	1550	1559	1609	\$1459	\$1589	\$1427	\$1557

For NEMA C-Face motors see page 45.

For NSD add:

SK 1282SC-SK 4282SC.....\$105 list for INTEGRAL GEARMOTOR and \$65 list for C-FACE REDUCER

For INTEGRAL MOTOR OPTIONS see page 46.

# Drive Selections

# 1.5 HP

SELECTIONS

OUTPUT SPEED	AGMA CLASS	RED. RATIO	GEAR MODEL	OUTPUT TORQUE	STD. BEARING	H.D. BEARING	INPUT STYLE			
							INTEGRAL MOTOR		C-FACE REDUCER	
							"- 90 S/4"		"140 TC"	
n2 [RPM]		i <sub>total</sub>		T <sub>2</sub> [LB-IN.]	THRUST [LBS]	THRUST [LBS]	STD. BRG.	H.D. BRG.	STD. BRG.	H.D. BRG.
58	III	29.65	SK 2282SC	1630	2700	3375	\$1589	\$1719	\$1623	\$1753
54	I	32.08	SK 1282SC	1751	1593	1609	\$1459	\$1589	\$1427	\$1557
47	III	36.54	SK 2282SC	2011	2700	3375	\$1589	\$1719	\$1623	\$1753
45	III	38.62	SK 3282SC	2101	3263	4500	\$1858	\$1988	\$1930	\$2060
40	II	43.71	SK 2282SC	2363	2700	3375	\$1589	\$1719	\$1623	\$1753
39	III	44.85	SK 3282SC	2424	3263	4500	\$1858	\$1988	\$1930	\$2060
38	II	45.11	SK 2282SC	2488	2700	3375	\$1589	\$1719	\$1623	\$1753
36	II	48.04	SK 3282SC	2626	3263	4500	\$1858	\$1988	\$1930	\$2060
33	I	51.71	SK 2282SC	2865	2700	3375	\$1589	\$1719	\$1623	\$1753
33	III	52.97	SK 3282SC	2865	3263	4500	\$1858	\$1988	\$1930	\$2060
32	II	53.96	SK 2282SC	2954	2700	3375	\$1589	\$1719	\$1623	\$1753
27	I	63.83	SK 2282SC	3501	2700	3375	\$1589	\$1719	\$1623	\$1753
27	III	64.12	SK 3282SC	3501	3263	4500	\$1858	\$1988	\$1930	\$2060
26	II	65.89	SK 3282SC	3636	3263	4500	\$1858	\$1988	\$1930	\$2060
25	I	69.67	SK 2282SC	3782	2700	3375	\$1589	\$1719	\$1623	\$1753
22	II	79.76	SK 3282SC	4297	3263	4500	\$1858	\$1988	\$1930	\$2060
19	I	88.74	SK 3282SC	4976	3263	4500	\$1858	\$1988	\$1930	\$2060
19	III	90.52	SK 4282SC	4976	4950	6750	\$2356	\$2486	\$2712	\$2842
17	I	100.88	SK 3282SC	5561	3263	4500	\$1858	\$1988	\$1930	\$2060
17	III	103.82	SK 4382SC	5561	4950	6750	\$2748	\$2878	\$2842	\$2972
16	II	110.78	SK 4282SC	5909	4950	6750	\$2356	\$2486	\$2712	\$2842
15	I	112.23	SK 3282SC	6303	3263	4500	\$1858	\$1988	\$1930	\$2060
15	III	118.38	SK 4382SC	6303	4950	6750	\$2748	\$2878	\$2842	\$2972
14	I	126.93	SK 3382SC	6753	3263	4500	\$1996	\$2126	\$1987	\$2117
13	III	134.03	SK 5282SC	7272	7200	9000	\$3231	\$3381	\$3758	\$3908
12	II	140.60	SK 4382SC	7878	4950	6750	\$2748	\$2878	\$2842	\$2972
11	I	155.40	SK 4282SC	8594	4950	6750	\$2356	\$2486	\$2712	\$2842
11	III	153.92	SK 5382SC	8594	7200	9000	\$3705	\$3855	\$3935	\$4085
10	III	171.27	SK 5382SC	9454	7200	9000	\$3705	\$3855	\$3935	\$4085
9	II	191.57	SK 4382SC	10504	4950	6750	\$2748	\$2878	\$2842	\$2972
8	I	211.09	SK 4382SC	11817	4950	6750	\$2748	\$2878	\$2842	\$2972
8	III	225.79	SK 6382SC	11817	10463	13500	\$4854	\$5004	\$5504	\$5654
7	I	253.12	SK 4382SC	13505	4950	6750	\$2748	\$2878	\$2842	\$2972
7	II	248.70	SK 5382SC	13505	7200	9000	\$3705	\$3855	\$3935	\$4085
7	III	251.76	SK 6382SC	13505	10463	13500	\$4854	\$5004	\$5504	\$5654
6	II	269.99	SK 5382SC	15756	7200	9000	\$3705	\$3855	\$3935	\$4085
5	I	331.48	SK 5382SC	18908	7200	9000	\$3705	\$3855	\$3935	\$4085
5	III	317.28	SK 6382SC	18908	10463	13500	\$4854	\$5004	\$5504	\$5654
4	I	427.79	SK 5382SC	23634	7200	9000	\$3705	\$3855	\$3935	\$4085
4	II	445.09	SK 6382SC	23634	10463	13500	\$4854	\$5004	\$5504	\$5654
3	II	551.58	SK 6382SC	31513	10463	13500	\$4854	\$5004	\$5504	\$5654

For NEMA C-Face motors see page 45.

For NSD add:

SK 1282SC-SK 4382SC.....\$105 list for INTEGRAL GEARMOTOR and \$65 list for C-FACE REDUCER

SK 5382SC-SK 6382SC.....\$125 list for INTEGRAL GEARMOTOR and \$75 list for C-FACE REDUCER

For INTEGRAL MOTOR OPTIONS see page 46.

# 2.0 HP

# Drive Selections

OUTPUT SPEED	AGMA CLASS	RED. RATIO	GEAR MODEL	OUTPUT TORQUE	STD. BEARING	H.D. BEARING	INPUT STYLE			
							INTEGRAL MOTOR		C-FACE REDUCER	
							"- 90 L/4"		"140 TC"	
n2 [RPM]		i <sub>total</sub>		T <sub>2</sub> [LB-IN.]	THRUST [LBS]	THRUST [LBS]	STD. BRG.	H.D. BRG.	STD. BRG.	H.D. BRG.
317	III	5.47	SK 1282SC	398	891	1609	\$1468	\$1598	\$1427	\$1557
305	III	5.68	SK 3282SC	413	1745	2406	\$1867	\$1997	\$1930	\$2060
303	III	5.72	SK 2282SC	416	1459	1939	\$1597	\$1727	\$1623	\$1753
270	III	6.43	SK 1282SC	467	938	1609	\$1468	\$1598	\$1427	\$1557
259	III	6.70	SK 3282SC	487	1863	2569	\$1867	\$1997	\$1930	\$2060
243	III	7.13	SK 4282SC	519	2787	3800	\$2365	\$2495	\$2712	\$2842
240	III	7.24	SK 1282SC	525	972	1609	\$1468	\$1598	\$1427	\$1557
232	III	7.48	SK 2282SC	543	1612	2142	\$1597	\$1727	\$1623	\$1753
211	III	8.24	SK 1282SC	597	1010	1609	\$1468	\$1598	\$1427	\$1557
209	III	8.31	SK 3282SC	603	2003	3911	\$1867	\$1997	\$1930	\$2060
207	III	8.37	SK 2282SC	609	1680	2232	\$1597	\$1727	\$1623	\$1753
192	III	9.03	SK 2282SC	657	1742	2315	\$1597	\$1727	\$1623	\$1753
189	III	9.18	SK 1282SC	667	1062	1609	\$1468	\$1598	\$1427	\$1557
188	III	9.23	SK 4282SC	670	3104	4233	\$2365	\$2495	\$2712	\$2842
177	III	9.80	SK 3282SC	712	2129	4091	\$1867	\$1997	\$1930	\$2060
171	III	10.15	SK 2282SC	737	1818	2416	\$1597	\$1727	\$1623	\$1753
168	III	10.34	SK 1282SC	750	1098	1609	\$1468	\$1598	\$1427	\$1557
160	III	10.85	SK 4282SC	788	3313	4517	\$2365	\$2495	\$2712	\$2842
152	III	11.38	SK 3282SC	829	2228	4237	\$1867	\$1997	\$1930	\$2060
148	III	11.76	SK 1282SC	852	1132	1609	\$1468	\$1598	\$1427	\$1557
147	III	11.81	SK 2282SC	857	1917	2547	\$1597	\$1727	\$1623	\$1753
137	III	12.68	SK 4282SC	920	3584	6750	\$2365	\$2495	\$2712	\$2842
131	III	13.23	SK 2282SC	962	2540	3375	\$1597	\$1727	\$1623	\$1753
123	II	14.11	SK 1282SC	1025	1199	1609	\$1468	\$1598	\$1427	\$1557
123	III	14.11	SK 3282SC	1025	2363	4446	\$1867	\$1997	\$1930	\$2060
114	III	15.20	SK 4282SC	1106	3841	6750	\$2365	\$2495	\$2712	\$2842
105	III	16.53	SK 2282SC	1200	2700	3375	\$1597	\$1727	\$1623	\$1753
104	III	16.67	SK 3282SC	1212	2480	4500	\$1867	\$1997	\$1930	\$2060
101	II	17.21	SK 1282SC	1248	1251	1609	\$1468	\$1598	\$1427	\$1557
95	III	18.18	SK 4282SC	1327	4082	6750	\$2365	\$2495	\$2712	\$2842
94	III	18.51	SK 2282SC	1341	2700	3375	\$1597	\$1727	\$1623	\$1753
86	III	20.18	SK 3282SC	1466	2977	4500	\$1867	\$1997	\$1930	\$2060
84	I	20.57	SK 1282SC	1501	1298	1609	\$1468	\$1598	\$1427	\$1557
81	III	21.38	SK 3282SC	1556	3015	4500	\$1867	\$1997	\$1930	\$2060
79	III	21.90	SK 2282SC	1596	2700	3375	\$1597	\$1727	\$1623	\$1753
77	III	22.45	SK 3282SC	1637	3069	4500	\$1867	\$1997	\$1930	\$2060
73	III	23.71	SK 3282SC	1727	3263	4500	\$1867	\$1997	\$1930	\$2060
72	II	23.96	SK 2282SC	1751	2700	3375	\$1597	\$1727	\$1623	\$1753
69	I	25.22	SK 1282SC	1827	1355	1609	\$1468	\$1598	\$1427	\$1557
69	III	24.97	SK 2282SC	1827	2700	3375	\$1597	\$1727	\$1623	\$1753
67	III	25.88	SK 3282SC	1881	3263	4500	\$1867	\$1997	\$1930	\$2060
65	II	26.83	SK 2282SC	1939	2700	3375	\$1597	\$1727	\$1623	\$1753
60	III	28.70	SK 3282SC	2101	3263	4500	\$1867	\$1997	\$1930	\$2060

For NEMA C-Face motors see page 45.

For NSD add:

SK 1282SC-SK 4382SC.....\$105 list for INTEGRAL GEARMOTOR and \$65 list for C-FACE REDUCER

For INTEGRAL MOTOR OPTIONS see page 46.

# Drive Selections

# 2.0 HP

OUTPUT SPEED	AGMA CLASS	RED. RATIO	GEAR MODEL	OUTPUT TORQUE	STD. BEARING	H.D. BEARING	INPUT STYLE			
							INTEGRAL MOTOR		C-FACE REDUCER	
							"- 90 L/4"		"140 TC"	
n2 [RPM]		i <sub>total</sub>		T <sub>2</sub> [LB-IN.]	THRUST [LBS]	THRUST [LBS]	STD. BRG.	H.D. BRG.	STD. BRG.	H.D. BRG.
59	II	29.65	SK 2282SC	2136	2700	3375	\$1597	\$1727	\$1623	\$1753
56	II	31.23	SK 2282SC	2251	2700	3375	\$1597	\$1727	\$1623	\$1753
54	III	31.93	SK 3282SC	2334	3263	4500	\$1867	\$1997	\$1930	\$2060
52	III	33.43	SK 5282SC	2424	7072	9000	\$3239	\$3389	\$3758	\$3908
47	II	37.18	SK 2282SC	2682	2700	3375	\$1597	\$1727	\$1623	\$1753
47	III	36.81	SK 4282SC	2682	4950	6750	\$2365	\$2495	\$2712	\$2842
46	III	37.77	SK 3282SC	2740	3263	4500	\$1867	\$1997	\$1930	\$2060
41	III	42.02	SK 3282SC	3074	3263	4500	\$1867	\$1997	\$1930	\$2060
40	II	43.71	SK 2282SC	3151	2700	3375	\$1597	\$1727	\$1623	\$1753
39	III	44.85	SK 3282SC	3232	3263	4500	\$1867	\$1997	\$1930	\$2060
38	I	45.11	SK 2282SC	3317	2700	3375	\$1597	\$1727	\$1623	\$1753
36	II	48.04	SK 3282SC	3501	3263	4500	\$1867	\$1997	\$1930	\$2060
34	I	51.71	SK 2282SC	3707	2700	3375	\$1597	\$1727	\$1623	\$1753
33	III	52.97	SK 3282SC	3820	3263	4500	\$1867	\$1997	\$1930	\$2060
32	I	53.96	SK 2282SC	3939	2700	3375	\$1597	\$1727	\$1623	\$1753
31	II	55.79	SK 3282SC	4066	3263	4500	\$1867	\$1997	\$1930	\$2060
31	III	55.55	SK 5282SC	4066	7200	9000	\$3239	\$3389	\$3758	\$3908
27	II	64.12	SK 3282SC	4669	3263	4500	\$1867	\$1997	\$1930	\$2060
26	II	65.89	SK 3282SC	4848	3263	4500	\$1867	\$1997	\$1930	\$2060
22	I	79.76	SK 3282SC	5730	3263	4500	\$1867	\$1997	\$1930	\$2060
21	III	81.61	SK 5282SC	6002	7200	9000	\$3239	\$3389	\$3758	\$3908
20	I	88.74	SK 3282SC	6303	3263	4500	\$1867	\$1997	\$1930	\$2060
20	III	86.83	SK 4382SC	6303	4950	6750	\$2756	\$2886	\$2842	\$2972
19	III	90.52	SK 4282SC	6634	4950	6750	\$2365	\$2495	\$2712	\$2842
17	II	103.82	SK 4382SC	7415	4950	6750	\$2756	\$2886	\$2842	\$2972
17	III	100.19	SK 5282SC	7415	7200	9000	\$3239	\$3389	\$3758	\$3908
16	II	110.78	SK 4282SC	7878	4950	6750	\$2365	\$2495	\$2712	\$2842
15	II	118.38	SK 4382SC	8403	4950	6750	\$2756	\$2886	\$2842	\$2972
15	III	117.37	SK 5382SC	8403	7200	9000	\$3713	\$3863	\$3935	\$4085
14	III	126.87	SK 6382SC	9004	9004	10463	\$4863	\$5013	\$5504	\$5654
13	III	134.03	SK 5282SC	9696	7200	9000	\$3239	\$3389	\$3758	\$3908
12	II	140.60	SK 4382SC	10504	4950	6750	\$2756	\$2886	\$2842	\$2972
12	III	138.82	SK 5382SC	10504	7200	9000	\$3713	\$3863	\$3935	\$4085
11	I	155.40	SK 4282SC	11459	4950	6750	\$2365	\$2495	\$2712	\$2842
11	III	153.92	SK 5382SC	11459	7200	9000	\$3713	\$3863	\$3935	\$4085
10	II	171.27	SK 5382SC	12605	7200	9000	\$3713	\$3863	\$3935	\$4085
9	I	191.57	SK 4382SC	14006	4950	6750	\$2756	\$2886	\$2842	\$2972
9	II	202.57	SK 5382SC	14006	7200	9000	\$3713	\$3863	\$3935	\$4085
8	III	225.79	SK 6382SC	15756	10463	13500	\$4863	\$5013	\$5504	\$5654
7	I	248.70	SK 5382SC	18007	7200	9000	\$3713	\$3863	\$3935	\$4085
7	III	251.76	SK 6382SC	18007	10463	13500	\$4863	\$5013	\$5504	\$5654
6	I	269.99	SK 5382SC	21008	7200	9000	\$3713	\$3863	\$3935	\$4085
5	II	317.28	SK 6382SC	25210	10463	13500	\$4863	\$5013	\$5504	\$5654
4	I	445.09	SK 6382SC	31513	10463	13500	\$4863	\$5013	\$5504	\$5654
4	II	393.19	SK 6382SC	31513	10463	13500	\$4863	\$5013	\$5504	\$5654

SELECTIONS

For NEMA C-Face motors see page 45.

For NSD add:

SK 2282SC-SK 4382SC.....\$105 list for INTEGRAL GEARMOTOR and \$65 list for C-FACE REDUCER

SK 5282SC-SK 6382SC.....\$125 list for INTEGRAL GEARMOTOR and \$75 list for C-FACE REDUCER

For INTEGRAL MOTOR OPTIONS see page 46.

# 3.0 HP

# Drive Selections

OUTPUT SPEED	AGMA CLASS	RED. RATIO	GEAR MODEL	OUTPUT TORQUE	STD. BEARING	H.D. BEARING	INPUT STYLE			
							INTEGRAL MOTOR		C-FACE REDUCER	
							"- 100 L/4"		"180 TC"	
n2 [RPM]		i <sub>total</sub>		T <sub>2</sub> [LB-IN.]	THRUST [LBS]	THRUST [LBS]	STD. BRG.	H.D. BRG.	STD. BRG.	H.D. BRG.
317	III	5.47	SK 1282SC	596	817	1609	\$1569	\$1699	\$1530	\$1660
305	III	5.68	SK 3282SC	620	1690	2555	\$1968	\$2098	\$2033	\$2163
286	III	6.06	SK 4282SC	661	2556	3485	\$2466	\$2596	\$2816	\$2946
270	III	6.43	SK 2282SC	700	1450	2506	\$1695	\$1825	\$1730	\$1860
270	III	6.43	SK 1282SC	700	851	1609	\$1569	\$1699	\$1530	\$1660
259	III	6.70	SK 3282SC	730	1798	2717	\$1968	\$2098	\$2033	\$2163
240	III	7.24	SK 1282SC	788	875	1609	\$1569	\$1699	\$1530	\$1660
232	III	7.48	SK 2282SC	815	1953	3375	\$1695	\$1825	\$1730	\$1860
211	II	8.24	SK 1282SC	896	900	1609	\$1569	\$1699	\$1530	\$1660
209	III	8.31	SK 3282SC	905	1943	2937	\$1968	\$2098	\$2033	\$2163
207	III	8.37	SK 2282SC	913	2032	3375	\$1695	\$1825	\$1730	\$1860
192	III	9.03	SK 2282SC	985	2155	3375	\$1695	\$1825	\$1730	\$1860
189	II	9.18	SK 1282SC	1000	938	1609	\$1569	\$1699	\$1530	\$1660
188	III	9.23	SK 4282SC	1006	3030	4132	\$2466	\$2596	\$2816	\$2946
177	III	9.80	SK 3282SC	1068	2076	3138	\$1968	\$2098	\$2033	\$2163
168	II	10.34	SK 1282SC	1125	959	1609	\$1569	\$1699	\$1530	\$1660
160	III	10.85	SK 4282SC	1182	3225	4398	\$2466	\$2596	\$2816	\$2946
152	III	11.38	SK 3282SC	1244	2192	3313	\$1968	\$2098	\$2033	\$2163
148	II	11.76	SK 1282SC	1278	977	1609	\$1569	\$1699	\$1530	\$1660
137	III	12.68	SK 4282SC	1380	3422	4666	\$2466	\$2596	\$2816	\$2946
131	III	13.23	SK 2282SC	1443	2390	3375	\$1695	\$1825	\$1730	\$1860
123	I	14.11	SK 1282SC	1537	1017	1609	\$1569	\$1699	\$1530	\$1660
123	III	14.11	SK 3282SC	1537	2363	4446	\$1968	\$2098	\$2033	\$2163
114	III	15.20	SK 4282SC	1659	3675	5011	\$2466	\$2596	\$2816	\$2946
105	III	16.53	SK 2282SC	1801	2576	3375	\$1695	\$1825	\$1730	\$1860
101	I	17.21	SK 1282SC	1872	1028	1609	\$1569	\$1699	\$1530	\$1660
95	III	18.18	SK 4282SC	1990	4082	6750	\$2466	\$2596	\$2816	\$2946
94	III	18.51	SK 2282SC	2036	2673	3375	\$1695	\$1825	\$1730	\$1860
86	III	20.18	SK 3282SC	2199	2977	4500	\$1968	\$2098	\$2033	\$2163
81	III	21.45	SK 4282SC	2334	4318	6750	\$2466	\$2596	\$2816	\$2946
79	II	21.90	SK 2282SC	2393	2700	3375	\$1695	\$1825	\$1730	\$1860
77	III	22.45	SK 3282SC	2456	3069	4500	\$1968	\$2098	\$2033	\$2163
72	I	23.96	SK 2282SC	2626	2700	3375	\$1695	\$1825	\$1730	\$1860
69	II	24.97	SK 2282SC	2740	2700	3375	\$1695	\$1825	\$1730	\$1860
67	III	25.88	SK 3282SC	2822	3209	4500	\$1968	\$2098	\$2033	\$2163
65	I	26.83	SK 2282SC	2909	2700	3375	\$1695	\$1825	\$1730	\$1860
60	III	28.70	SK 3282SC	3151	3263	4500	\$1968	\$2098	\$2033	\$2163
59	I	29.65	SK 2282SC	3205	2700	3375	\$1695	\$1825	\$1730	\$1860
57	III	30.50	SK 5282SC	3317	6984	9000	\$3341	\$3491	\$3860	\$4010
56	I	31.23	SK 2282SC	3376	2700	3375	\$1695	\$1825	\$1730	\$1860
54	II	31.93	SK 3282SC	3501	3263	4500	\$1968	\$2098	\$2033	\$2163
52	III	33.43	SK 5282SC	3636	7072	9000	\$3341	\$3491	\$3860	\$4010

For NEMA C-Face motors see page 45.

For NSD add:

SK 1282SC-SK 4382SC.....\$105 list for INTEGRAL GEARMOTOR and \$65 list for C-FACE REDUCER

SK 5282SC.....\$125 list for INTEGRAL GEARMOTOR and \$75 list for C-FACE REDUCER

For INTEGRAL MOTOR OPTIONS see page 46.

# Drive Selections

# 3.0 HP

SELECTIONS

OUTPUT SPEED	AGMA CLASS	RED. RATIO	GEAR MODEL	OUTPUT TORQUE	STD. BEARING	H.D. BEARING	INPUT STYLE			
							INTEGRAL MOTOR		C-FACE REDUCER	
							"- 100 L/4"		"180 TC"	
n2 [RPM]		i <sub>total</sub>		T <sub>2</sub> [LB-IN.]	THRUST [LBS]	THRUST [LBS]	STD. BRG.	H.D. BRG.	STD. BRG.	H.D. BRG.
48	III	36.40	SK 4282SC	3939	4950	6750	\$2466	\$2596	\$2816	\$2946
47	I	36.54	SK 2282SC	4023	2700	3375	\$1695	\$1825	\$1730	\$1860
46	II	37.77	SK 3282SC	4110	3263	4500	\$1968	\$2098	\$2033	\$2163
45	I	38.62	SK 3282SC	4202	3263	4500	\$1968	\$2098	\$2033	\$2163
43	III	40.74	SK 4282SC	4397	4950	6750	\$2466	\$2596	\$2816	\$2946
41	II	42.02	SK 3282SC	4612	3263	4500	\$1968	\$2098	\$2033	\$2163
40	III	43.65	SK 4282SC	4727	4950	6750	\$2466	\$2596	\$2816	\$2946
39	I	44.85	SK 3282SC	4848	3263	4500	\$1968	\$2098	\$2033	\$2163
37	III	47.27	SK 5282SC	5110	7200	9000	\$3341	\$3491	\$3860	\$4010
33	I	52.97	SK 3282SC	5730	3263	4500	\$1968	\$2098	\$2033	\$2163
31	III	55.55	SK 5282SC	6099	7200	9000	\$3341	\$3491	\$3860	\$4010
29	III	59.66	SK 6382SC	6520	10463	13500	\$4964	\$5114	\$5607	\$5757
28	II	61.60	SK 4282SC	6753	4950	6750	\$2466	\$2596	\$2816	\$2946
27	I	64.12	SK 3282SC	7003	3263	4500	\$1968	\$2098	\$2033	\$2163
25	III	68.63	SK 5282SC	7563	7200	9000	\$3341	\$3491	\$3860	\$4010
23	I	75.39	SK 4282SC	8221	4950	6750	\$2466	\$2596	\$2816	\$2946
22	III	80.33	SK 6282SC	8594	10463	13500	\$4767	\$4917	\$5439	\$5589
21	II	81.61	SK 5282SC	9004	7200	9000	\$3341	\$3491	\$3860	\$4010
20	II	86.83	SK 4382SC	9454	4950	6750	\$2858	\$2988	\$2945	\$3075
19	I	90.52	SK 4282SC	9951	4950	6750	\$2466	\$2596	\$2816	\$2946
17	I	103.82	SK 4382SC	11122	4950	6750	\$2858	\$2988	\$2945	\$3075
15	I	118.38	SK 4382SC	12605	4950	6750	\$2858	\$2988	\$2945	\$3075
15	III	114.79	SK 6382SC	12605	10463	13500	\$4964	\$5114	\$5607	\$5757
14	III	126.87	SK 6382SC	13505	10463	13500	\$4964	\$5114	\$5607	\$5757
13	I	134.03	SK 5282SC	14544	7200	9000	\$3341	\$3491	\$3860	\$4010
12	II	138.82	SK 5382SC	15756	7200	9000	\$3815	\$3965	\$4038	\$4188
12	III	150.57	SK 7382SC	15756	13050	18000	\$6409	\$6609	\$8227	\$8427
11	II	153.92	SK 5382SC	17189	7200	9000	\$3815	\$3965	\$4038	\$4188
11	III	159.88	SK 6382SC	17189	10463	13500	\$4964	\$5114	\$5607	\$5757
10	I	171.27	SK 5382SC	18908	7200	9000	\$3815	\$3965	\$4038	\$4188
10	III	171.34	SK 6382SC	18908	10463	13500	\$4964	\$5114	\$5607	\$5757
9	I	202.57	SK 5382SC	21008	7200	9000	\$3815	\$3965	\$4038	\$4188
8	II	212.33	SK 6382SC	23634	10463	13500	\$4964	\$5114	\$5607	\$5757
8	III	204.99	SK 7382SC	23634	13050	18000	\$6409	\$6609	\$8227	\$8427
7	II	251.76	SK 6382SC	27011	10463	13500	\$4964	\$5114	\$5607	\$5757
6	II	267.59	SK 6382SC	31513	10463	13500	\$4964	\$5114	\$5607	\$5757
5	II	338.79	SK 7382SC	37815	13050	18000	\$6409	\$6609	\$8227	\$8427

For NEMA C-Face motors see page 45.

For NSD add:

SK 2282SC-SK 4382SC.....\$105 list for INTEGRAL GEARMOTOR and \$65 list for C-FACE REDUCER

SK 5282SC-SK 6382SC.....\$125 list for INTEGRAL GEARMOTOR and \$75 list for C-FACE REDUCER

SK 7382SC.....\$145 list for INTEGRAL GEARMOTOR and \$110 list for C-FACE REDUCER

For INTEGRAL MOTOR OPTIONS see page 46.

# 5.0 HP

# Drive Selections

OUTPUT SPEED	AGMA CLASS	RED. RATIO	GEAR MODEL	OUTPUT TORQUE	STD. BEARING	H.D. BEARING	INPUT STYLE			
							INTEGRAL MOTOR		C-FACE REDUCER	
							"- 100 L/40"		"180 TC"	
n2 [RPM]		i <sub>total</sub>		T <sub>2</sub> [LB-IN.]	THRUST [LBS]	THRUST [LBS]	STD. BRG.	H.D. BRG.	STD. BRG.	H.D. BRG.
314	II	5.47	SK 1282SC	1004	671	1609	\$1595	\$1725	\$1530	\$1660
302	III	5.68	SK 3282SC	1043	1764	3557	\$1995	\$2125	\$2033	\$2163
300	II	5.72	SK 2282SC	1050	1523	3375	\$1720	\$1850	\$1730	\$1860
283	III	6.06	SK 4282SC	1114	2333	4450	\$2492	\$2622	\$2816	\$2946
267	I	6.43	SK 1282SC	1180	380	1609	\$1595	\$1725	\$1530	\$1660
267	II	6.43	SK 2282SC	1180	1523	3375	\$1720	\$1850	\$1730	\$1860
256	III	6.70	SK 3282SC	1231	1868	3708	\$1995	\$2125	\$2033	\$2163
241	III	7.13	SK 4282SC	1308	2891	6008	\$2492	\$2622	\$2816	\$2946
237	I	7.24	SK 1282SC	1330	680	1609	\$1595	\$1725	\$1530	\$1660
229	II	7.48	SK 2282SC	1376	1523	3375	\$1720	\$1850	\$1730	\$1860
208	I	8.24	SK 1282SC	1515	673	1609	\$1595	\$1725	\$1530	\$1660
206	III	8.31	SK 3282SC	1530	2003	3911	\$1995	\$2125	\$2033	\$2163
206	III	8.33	SK 4282SC	1530	3074	6264	\$2492	\$2622	\$2816	\$2946
205	II	8.37	SK 2282SC	1537	1523	3375	\$1720	\$1850	\$1730	\$1860
190	II	9.03	SK 2282SC	1659	1523	3375	\$1720	\$1850	\$1730	\$1860
187	I	9.18	SK 1282SC	1685	700	1609	\$1595	\$1725	\$1530	\$1660
186	III	9.23	SK 4282SC	1694	3204	6458	\$2492	\$2622	\$2816	\$2946
175	III	9.80	SK 3282SC	1801	2129	4091	\$1995	\$2125	\$2033	\$2163
169	II	10.15	SK 2282SC	1865	1523	3375	\$1720	\$1850	\$1730	\$1860
158	III	10.85	SK 4282SC	1994	3400	6743	\$2492	\$2622	\$2816	\$2946
151	III	11.38	SK 3282SC	2087	2228	4237	\$1995	\$2125	\$2033	\$2163
145	II	11.81	SK 2282SC	2173	1523	3375	\$1720	\$1850	\$1730	\$1860
135	III	12.68	SK 4282SC	2334	3584	6750	\$2492	\$2622	\$2816	\$2946
130	II	13.23	SK 2282SC	2424	1523	3375	\$1720	\$1850	\$1730	\$1860
122	III	14.11	SK 3282SC	2583	2363	4446	\$1995	\$2125	\$2033	\$2163
113	III	15.20	SK 4282SC	2789	3841	6750	\$2492	\$2622	\$2816	\$2946
104	II	16.53	SK 2282SC	3030	1523	3375	\$1720	\$1850	\$1730	\$1860
103	III	16.67	SK 3282SC	3059	2480	4500	\$1995	\$2125	\$2033	\$2163
97	III	17.59	SK 5282SC	3249	5125	6604	\$3367	\$3517	\$3860	\$4010
94	III	18.18	SK 4282SC	3352	4082	6750	\$2492	\$2622	\$2816	\$2946
93	I	18.51	SK 2282SC	3388	1523	3375	\$1720	\$1850	\$1730	\$1860
91	III	18.88	SK 5282SC	3463	5280	6804	\$3367	\$3517	\$3860	\$4010
85	III	20.18	SK 3282SC	3707	2610	4500	\$1995	\$2125	\$2033	\$2163
80	II	21.38	SK 3282SC	3939	2635	4500	\$1995	\$2125	\$2033	\$2163
80	III	21.45	SK 4282SC	3939	4318	6750	\$2492	\$2622	\$2816	\$2946
77	III	22.39	SK 4282SC	4093	4347	6750	\$2492	\$2622	\$2816	\$2946
76	II	22.45	SK 3282SC	4146	2691	4500	\$1995	\$2125	\$2033	\$2163
72	II	23.71	SK 3282SC	4377	2673	4500	\$1995	\$2125	\$2033	\$2163
69	III	25.00	SK 5282SC	4567	5852	7541	\$3367	\$3517	\$3860	\$4010
66	II	25.88	SK 3282SC	4775	2747	4500	\$1995	\$2125	\$2033	\$2163
65	III	26.43	SK 4282SC	4848	4613	6750	\$2492	\$2622	\$2816	\$2946
60	II	28.70	SK 3282SC	5252	2779	4500	\$1995	\$2125	\$2033	\$2163

For NEMA C-Face motors see page 45.

For NSD add:

SK 1282SC-SK 4382SC.....\$105 list for INTEGRAL GEARMOTOR and \$65 list for C-FACE REDUCER

SK 5282SC.....\$125 list for INTEGRAL GEARMOTOR and \$75 list for C-FACE REDUCER

For INTEGRAL MOTOR OPTIONS see page 46.

# Drive Selections

# 5.0 HP

SELECTIONS

OUTPUT SPEED	AGMA CLASS	RED. RATIO	GEAR MODEL	OUTPUT TORQUE	STD. BEARING	H.D. BEARING	INPUT STYLE			
							INTEGRAL MOTOR		C-FACE REDUCER	
							"- 100 L/40"		"180 TC"	
n2 [RPM]		i <sub>total</sub>		T <sub>2</sub> [LB-IN.]	THRUST [LBS]	THRUST [LBS]	STD. BRG.	H.D. BRG.	STD. BRG.	H.D. BRG.
56	III	30.50	SK 5282SC	5627	6984	9000	\$3367	\$3517	\$3860	\$4010
54	I	31.93	SK 3282SC	5836	2833	4500	\$1995	\$2125	\$2033	\$2163
53	II	32.34	SK 4282SC	5946	4901	6750	\$2492	\$2622	\$2816	\$2946
51	III	33.43	SK 5282SC	6179	7072	9000	\$3367	\$3517	\$3860	\$4010
47	II	36.81	SK 4282SC	6705	4950	6750	\$2492	\$2622	\$2816	\$2946
45	I	37.77	SK 3282SC	7003	2860	4500	\$1995	\$2125	\$2033	\$2163
42	II	40.74	SK 4282SC	7503	4950	6750	\$2492	\$2622	\$2816	\$2946
42	III	40.80	SK 5282SC	7503	7200	9000	\$3367	\$3517	\$3860	\$4010
39	II	43.65	SK 4282SC	8080	4950	6750	\$2492	\$2622	\$2816	\$2946
38	I	45.05	SK 4282SC	8293	4950	6750	\$2492	\$2622	\$2816	\$2946
36	III	47.27	SK 5282SC	8753	7200	9000	\$3367	\$3517	\$3860	\$4010
33	II	52.20	SK 4282SC	9549	4950	6750	\$2492	\$2622	\$2816	\$2946
31	II	55.55	SK 5282SC	10165	7200	9000	\$3367	\$3517	\$3860	\$4010
31	III	55.90	SK 5282SC	10165	7200	9000	\$3367	\$3517	\$3860	\$4010
29	III	59.66	SK 6382SC	10866	10463	13500	\$4991	\$5141	\$5607	\$5757
28	I	61.60	SK 4282SC	11254	4950	6750	\$2492	\$2622	\$2816	\$2946
26	III	65.44	SK 6282SC	12120	11845	13500	\$4792	\$4942	\$5439	\$5589
25	II	68.63	SK 5282SC	12605	7200	9000	\$3367	\$3517	\$3860	\$4010
23	III	73.50	SK 6382SC	13701	10463	13500	\$4991	\$5141	\$5607	\$5757
23	III	75.18	SK 6382SC	13701	10463	13500	\$4991	\$5141	\$5607	\$5757
21	I	81.61	SK 5282SC	15006	7200	9000	\$3367	\$3517	\$3860	\$4010
21	II	82.72	SK 5382SC	15006	7200	9000	\$3841	\$3991	\$4038	\$4188
21	III	80.33	SK 6282SC	15006	11845	13500	\$4792	\$4942	\$5439	\$5589
19	I	91.81	SK 5282SC	16586	7200	9000	\$3367	\$3517	\$3860	\$4010
19	II	91.71	SK 5382SC	16586	7200	9000	\$3841	\$3991	\$4038	\$4188
19	III	92.63	SK 6382SC	16586	10463	13500	\$4991	\$5141	\$5607	\$5757
17	I	100.19	SK 5282SC	18537	7200	9000	\$3367	\$3517	\$3860	\$4010
15	I	117.37	SK 5382SC	21008	7200	9000	\$3841	\$3991	\$4038	\$4188
15	III	114.79	SK 6382SC	21008	10463	13500	\$4991	\$5141	\$5607	\$5757
14	II	126.87	SK 6382SC	22509	10463	13500	\$4991	\$5141	\$5607	\$5757
14	III	123.37	SK 7382SC	22509	13050	18000	\$6437	\$6637	\$8227	\$8427
12	I	138.82	SK 5382SC	26260	7200	9000	\$3841	\$3991	\$4038	\$4188
11	II	159.88	SK 6382SC	28648	10463	13500	\$4991	\$5141	\$5607	\$5757
11	III	150.57	SK 7382SC	28648	13050	18000	\$6437	\$6637	\$8227	\$8427
10	I	171.34	SK 6382SC	31513	10463	13500	\$4991	\$5141	\$5607	\$5757
8	I	212.33	SK 6382SC	39391	10463	13500	\$4991	\$5141	\$5607	\$5757
8	II	204.99	SK 7382SC	39391	13050	18000	\$6437	\$6637	\$8227	\$8427
6	I	273.57	SK 7382SC	52521	13050	18000	\$6437	\$6637	\$8227	\$8427
5	I	338.79	SK 7382SC	63025	13050	18000	\$6437	\$6637	\$8227	\$8427

For NEMA C-Face motors see page 45.

For NSD add:

SK 3282SC-SK 4382SC.....\$105 list for INTEGRAL GEARMOTOR and \$65 list for C-FACE REDUCER

SK 5282SC-SK 6382SC.....\$125 list for INTEGRAL GEARMOTOR and \$75 list for C-FACE REDUCER

SK 7382SC.....\$145 list for INTEGRAL GEARMOTOR and \$110 list for C-FACE REDUCER

For INTEGRAL MOTOR OPTIONS see page 46.

# 7.5 HP

# Drive Selections

OUTPUT SPEED	AGMA CLASS	RED. RATIO	GEAR MODEL	OUTPUT TORQUE	STD. BEARING	H.D. BEARING	INPUT STYLE			
							INTEGRAL MOTOR		C-FACE REDUCER	
							"- 132 S/4"		"210 TC"	
n2 [RPM]		i <sub>total</sub>		T <sub>2</sub> [LB-IN.]	THRUST [LBS]	THRUST [LBS]	STD. BRG.	H.D. BRG.	STD. BRG.	H.D. BRG.
309	III	5.68	SK 3282SC	1530	1629	3440	\$2428	\$2558	\$2033	\$2163
290	III	6.06	SK 4282SC	1630	2333	4450	\$2926	\$3056	\$2816	\$2946
262	III	6.70	SK 3282SC	1804	1703	3569	\$2428	\$2558	\$2033	\$2163
246	III	7.13	SK 4282SC	1921	2462	4696	\$2926	\$3056	\$2816	\$2946
211	III	8.31	SK 3282SC	2240	1793	3744	\$2428	\$2558	\$2033	\$2163
190	III	9.23	SK 4282SC	2488	2710	5169	\$2926	\$3056	\$2816	\$2946
179	III	9.80	SK 3282SC	2641	1897	3897	\$2428	\$2558	\$2033	\$2163
162	III	10.85	SK 4282SC	2918	2845	5426	\$2926	\$3056	\$2816	\$2946
154	III	11.38	SK 3282SC	3069	1971	4025	\$2428	\$2558	\$2033	\$2163
138	III	12.68	SK 4282SC	3425	2975	5674	\$2926	\$3056	\$2816	\$2946
124	III	14.11	SK 3282SC	3812	2045	4183	\$2428	\$2558	\$2033	\$2163
115	III	15.20	SK 4282SC	4110	3539	6750	\$2926	\$3056	\$2816	\$2946
105	II	16.67	SK 3282SC	4502	2108	4320	\$2428	\$2558	\$2033	\$2163
97	III	18.18	SK 4282SC	4873	3726	6750	\$2926	\$3056	\$2816	\$2946
93	III	18.88	SK 5282SC	5083	5015	7362	\$3800	\$3950	\$3860	\$4010
87	I	20.18	SK 3282SC	5433	2174	4460	\$2428	\$2558	\$2033	\$2163
86	III	20.36	SK 5282SC	5496	5115	7509	\$3800	\$3950	\$3860	\$4010
82	I	21.38	SK 3282SC	5764	2140	4466	\$2428	\$2558	\$2033	\$2163
82	III	21.45	SK 4282SC	5764	3897	6750	\$2926	\$3056	\$2816	\$2946
78	I	22.45	SK 3282SC	6060	2194	4500	\$2428	\$2558	\$2033	\$2163
78	III	22.39	SK 4282SC	6060	3922	6750	\$2926	\$3056	\$2816	\$2946
74	I	23.71	SK 3282SC	6388	2140	4500	\$2428	\$2558	\$2033	\$2163
72	III	24.42	SK 6382SC	6565	8936	13500	\$5424	\$5574	\$5607	\$5757
70	III	25.00	SK 5282SC	6753	6131	9000	\$3800	\$3950	\$3860	\$4010
68	I	25.88	SK 3282SC	6951	2174	4500	\$2428	\$2558	\$2033	\$2163
67	II	26.25	SK 4282SC	7055	3922	6750	\$2926	\$3056	\$2816	\$2946
67	III	26.05	SK 6282SC	7055	8844	13500	\$5211	\$5361	\$5439	\$5589
66	II	26.43	SK 4282SC	7162	4082	6750	\$2926	\$3056	\$2816	\$2946
61	III	28.72	SK 6382SC	7749	9520	13500	\$5424	\$5574	\$5607	\$5757
59	III	29.90	SK 6282SC	8012	9298	13500	\$5211	\$5361	\$5439	\$5589
58	III	30.50	SK 5282SC	8150	6518	9000	\$3800	\$3950	\$3860	\$4010
57	III	30.91	SK 6382SC	8293	9844	13500	\$5424	\$5574	\$5607	\$5757
55	II	32.04	SK 4282SC	8594	4169	6750	\$2926	\$3056	\$2816	\$2946
54	I	32.34	SK 4282SC	8753	4169	6750	\$2926	\$3056	\$2816	\$2946
52	III	33.43	SK 5282SC	9090	6741	9000	\$3800	\$3950	\$3860	\$4010
49	III	35.46	SK 5282SC	9647	7130	9000	\$3800	\$3950	\$3860	\$4010
48	I	36.81	SK 4282SC	9848	4338	6750	\$2926	\$3056	\$2816	\$2946
48	III	36.34	SK 6382SC	9848	9844	13500	\$5424	\$5574	\$5607	\$5757
46	II	38.31	SK 4282SC	10276	4298	6750	\$2926	\$3056	\$2816	\$2946
44	III	39.48	SK 6282SC	10743	10170	13500	\$5211	\$5361	\$5439	\$5589

For NEMA C-Face motors see page 45.

For NSD add:

SK 3282SC-SK 4382SC.....\$105 list for INTEGRAL GEARMOTOR and \$65 list for C-FACE REDUCER

SK 5282SC-SK 6382SC.....\$125 list for INTEGRAL GEARMOTOR and \$75 list for C-FACE REDUCER

For INTEGRAL MOTOR OPTIONS see page 47.

# Drive Selections

# 7.5 HP

SELECTIONS

OUTPUT SPEED	AGMA CLASS	RED. RATIO	GEAR MODEL	OUTPUT TORQUE	STD. BEARING	H.D. BEARING	INPUT STYLE			
							INTEGRAL MOTOR		C-FACE REDUCER	
							"- 132 S/4"		"210 TC"	
n2 [RPM]		i <sub>total</sub>		T <sub>2</sub> [LB-IN.]	THRUST [LBS]	THRUST [LBS]	STD. BRG.	H.D. BRG.	STD. BRG.	H.D. BRG.
43	I	40.74	SK 4282SC	10993	4401	6750	\$2926	\$3056	\$2816	\$2946
43	II	40.80	SK 5282SC	10993	7130	9000	\$3800	\$3950	\$3860	\$4010
42	III	41.94	SK 5282SC	11254	7200	9000	\$3800	\$3950	\$3860	\$4010
41	III	42.46	SK 6382SC	11529	10377	13500	\$5424	\$5574	\$5607	\$5757
40	I	43.65	SK 4282SC	11817	4298	6750	\$2926	\$3056	\$2816	\$2946
37	II	47.27	SK 5282SC	12775	7200	9000	\$3800	\$3950	\$3860	\$4010
34	I	52.20	SK 4282SC	13903	4347	6750	\$2926	\$3056	\$2816	\$2946
34	II	51.49	SK 5282SC	13903	7200	9000	\$3800	\$3950	\$3860	\$4010
34	III	52.18	SK 6282SC	13903	11020	13500	\$5211	\$5361	\$5439	\$5589
33	III	53.38	SK 7382SC	14324	13050	18000	\$6901	\$7101	\$8227	\$8427
32	I	55.55	SK 5282SC	14771	7200	9000	\$3800	\$3950	\$3860	\$4010
31	II	55.90	SK 5282SC	15248	7200	9000	\$3800	\$3950	\$3860	\$4010
31	III	56.91	SK 7282SC	15248	13810	18000	\$6743	\$6943	\$8093	\$8293
29	III	61.08	SK 6282SC	16300	11845	13500	\$5211	\$5361	\$5439	\$5589
27	II	65.44	SK 6282SC	17507	11845	13500	\$5211	\$5361	\$5439	\$5589
26	I	68.63	SK 5282SC	18180	7200	9000	\$3800	\$3950	\$3860	\$4010
26	III	68.10	SK 7382SC	18180	13050	18000	\$6901	\$7101	\$8227	\$8427
24	III	73.50	SK 6382SC	19695	10463	13500	\$5424	\$5574	\$5607	\$5757
23	III	75.18	SK 6382SC	20552	10463	13500	\$5424	\$5574	\$5607	\$5757
22	II	80.33	SK 6282SC	21486	11845	13500	\$5211	\$5361	\$5439	\$5589
21	I	82.72	SK 5382SC	22509	7200	9000	\$4275	\$4425	\$4038	\$4188
19	II	92.63	SK 6382SC	24878	10463	13500	\$5424	\$5574	\$5607	\$5757
19	III	93.18	SK 7382SC	24878	13050	18000	\$6901	\$7101	\$8227	\$8427
16	III	106.59	SK 7382SC	29543	13050	18000	\$6901	\$7101	\$8227	\$8427
15	II	114.79	SK 6382SC	31513	10463	13500	\$5424	\$5574	\$5607	\$5757
14	I	126.87	SK 6382SC	33763	10463	13500	\$5424	\$5574	\$5607	\$5757
14	II	123.37	SK 7382SC	33763	13050	18000	\$6901	\$7101	\$8227	\$8427
14	III	125.38	SK 8382SC	33763	16425	23625	\$9670	\$10070	\$11020	\$11420
12	II	150.57	SK 7382SC	39391	13050	18000	\$6901	\$7101	\$8227	\$8427
12	III	143.91	SK 8382SC	39391	16425	23625	\$9670	\$10070	\$11020	\$11420
11	I	159.88	SK 6382SC	42972	10463	13500	\$5424	\$5574	\$5607	\$5757
9	I	204.99	SK 7382SC	52521	13050	18000	\$6901	\$7101	\$8227	\$8427
9	II	201.00	SK 8382SC	52521	16425	23625	\$9670	\$10070	\$11020	\$11420
9	III	185.66	SK 8382SC	52521	16425	23625	\$9670	\$10070	\$11020	\$11420
8	I	216.43	SK 7382SC	59086	13050	18000	\$6901	\$7101	\$8227	\$8427
7	II	242.02	SK 8382SC	67527	16425	23625	\$9670	\$10070	\$11020	\$11420
6	I	318.31	SK 8382SC	78781	16425	23625	\$9670	\$10070	\$11020	\$11420
6	II	294.01	SK 8382SC	78781	16425	23625	\$9670	\$10070	\$11020	\$11420
6	III	291.25	SK 9382SC	78781	22950	29250	\$16296	\$16896	\$18630	\$19230
5	I	386.68	SK 8382SC	94538	16425	23625	\$9670	\$10070	\$11020	\$11420
5	III	352.36	SK 9382SC	94538	22950	29250	\$16296	\$16896	\$18630	\$19230

For NEMA C-Face motors see page 45.

For NSD add:

- SK 4282SC.....\$105 list for INTEGRAL GEARMOTOR and \$65 list for C-FACE REDUCER
- SK 5282SC-SK 6382SC.....\$125 list for INTEGRAL GEARMOTOR and \$75 list for C-FACE REDUCER
- SK 7382SC-SK 8382SC.....\$145 list for INTEGRAL GEARMOTOR and \$110 list for C-FACE REDUCER
- SK 9382SC.....\$175 list for INTEGRAL GEARMOTOR and \$120 list for C-FACE REDUCER

For INTEGRAL MOTOR OPTIONS see page 47.

# 10 HP

# Drive Selections

OUTPUT SPEED	AGMA CLASS	RED. RATIO	GEAR MODEL	OUTPUT TORQUE	STD. BEARING	H.D. BEARING	INPUT STYLE			
							INTEGRAL MOTOR		C-FACE REDUCER	
							"- 132 M/4"		"210 TC"	
n2 [RPM]		i <sub>total</sub>		T <sub>2</sub> [LB-IN.]	THRUST [LBS]	THRUST [LBS]	STD. BRG.	H.D. BRG.	STD. BRG.	H.D. BRG.
309	III	5.68	SK 3282SC	1530	1629	3440	\$2428	\$2558	\$2033	\$2163
290	III	6.06	SK 4282SC	1630	2333	4450	\$2926	\$3056	\$2816	\$2946
262	III	6.70	SK 3282SC	1804	1703	3569	\$2428	\$2558	\$2033	\$2163
246	III	7.13	SK 4282SC	1921	2462	4696	\$2926	\$3056	\$2816	\$2946
211	III	8.31	SK 3282SC	2240	1793	3744	\$2428	\$2558	\$2033	\$2163
190	III	9.23	SK 4282SC	2488	2710	5169	\$2926	\$3056	\$2816	\$2946
179	III	9.80	SK 3282SC	2641	1897	3897	\$2428	\$2558	\$2033	\$2163
162	III	10.85	SK 4282SC	2918	2845	5426	\$2926	\$3056	\$2816	\$2946
154	III	11.38	SK 3282SC	3069	1971	4025	\$2428	\$2558	\$2033	\$2163
138	III	12.68	SK 4282SC	3425	2975	5674	\$2926	\$3056	\$2816	\$2946
124	III	14.11	SK 3282SC	3812	2045	4183	\$2428	\$2558	\$2033	\$2163
115	III	15.20	SK 4282SC	4110	3539	6750	\$2926	\$3056	\$2816	\$2946
105	II	16.67	SK 3282SC	4502	2108	4320	\$2428	\$2558	\$2033	\$2163
97	III	18.18	SK 4282SC	4873	3726	6750	\$2926	\$3056	\$2816	\$2946
93	III	18.88	SK 5282SC	5083	5015	7362	\$3800	\$3950	\$3860	\$4010
87	I	20.18	SK 3282SC	5433	2174	4460	\$2428	\$2558	\$2033	\$2163
86	III	20.36	SK 5282SC	5496	5115	7509	\$3800	\$3950	\$3860	\$4010
82	I	21.38	SK 3282SC	5764	2140	4466	\$2428	\$2558	\$2033	\$2163
82	III	21.45	SK 4282SC	5764	3897	6750	\$2926	\$3056	\$2816	\$2946
78	I	22.45	SK 3282SC	6060	2194	4500	\$2428	\$2558	\$2033	\$2163
78	III	22.39	SK 4282SC	6060	3922	6750	\$2926	\$3056	\$2816	\$2946
74	I	23.71	SK 3282SC	6388	2140	4500	\$2428	\$2558	\$2033	\$2163
72	III	24.42	SK 6382SC	6565	8936	13500	\$5424	\$5574	\$5607	\$5757
70	III	25.00	SK 5282SC	6753	6131	9000	\$3800	\$3950	\$3860	\$4010
68	I	25.88	SK 3282SC	6951	2174	4500	\$2428	\$2558	\$2033	\$2163
67	II	26.25	SK 4282SC	7055	3922	6750	\$2926	\$3056	\$2816	\$2946
67	III	26.05	SK 6282SC	7055	8844	13500	\$5211	\$5361	\$5439	\$5589
66	II	26.43	SK 4282SC	7162	4082	6750	\$2926	\$3056	\$2816	\$2946
61	III	28.72	SK 6382SC	7749	9520	13500	\$5424	\$5574	\$5607	\$5757
59	III	29.90	SK 6282SC	8012	9298	13500	\$5211	\$5361	\$5439	\$5589
58	III	30.50	SK 5282SC	8150	6518	9000	\$3800	\$3950	\$3860	\$4010
57	III	30.91	SK 6382SC	8293	9844	13500	\$5424	\$5574	\$5607	\$5757
55	II	32.04	SK 4282SC	8594	4169	6750	\$2926	\$3056	\$2816	\$2946
54	I	32.34	SK 4282SC	8753	4169	6750	\$2926	\$3056	\$2816	\$2946
52	III	33.43	SK 5282SC	9090	6741	9000	\$3800	\$3950	\$3860	\$4010
49	III	35.46	SK 5282SC	9647	7130	9000	\$3800	\$3950	\$3860	\$4010
48	I	36.81	SK 4282SC	9848	4338	6750	\$2926	\$3056	\$2816	\$2946
48	III	36.34	SK 6382SC	9848	9844	13500	\$5424	\$5574	\$5607	\$5757
46	II	38.31	SK 4282SC	10276	4298	6750	\$2926	\$3056	\$2816	\$2946
44	III	39.48	SK 6282SC	10743	10170	13500	\$5211	\$5361	\$5439	\$5589

For NEMA C-Face motors see page 45.

For NSD add:

SK 3282SC-SK 4382SC.....\$105 list for INTEGRAL GEARMOTOR and \$65 list for C-FACE REDUCER

SK 5282SC-SK 6382SC.....\$125 list for INTEGRAL GEARMOTOR and \$75 list for C-FACE REDUCER

For INTEGRAL MOTOR OPTIONS see page 47.

# Drive Selections

# 10 HP

SELECTIONS

OUTPUT SPEED	AGMA CLASS	RED. RATIO	GEAR MODEL	OUTPUT TORQUE	STD. BEARING	H.D. BEARING	INPUT STYLE			
							INTEGRAL MOTOR		C-FACE REDUCER	
							"- 132 M/4"		"210 TC"	
n2 [RPM]		i <sub>total</sub>		T <sub>2</sub> [LB-IN.]	THRUST [LBS]	THRUST [LBS]	STD. BRG.	H.D. BRG.	STD. BRG.	H.D. BRG.
43	I	40.80	SK 5282SC	14657	6251	9000	\$3896	\$4046	\$3860	\$4010
42	II	41.94	SK 5282SC	15006	6527	9000	\$3896	\$4046	\$3860	\$4010
41	III	42.46	SK 6382SC	15372	9844	13500	\$5520	\$5670	\$5607	\$5757
39	III	45.02	SK 7282SC	16160	12195	18000	\$6845	\$7045	\$8093	\$8293
34	I	51.49	SK 5282SC	18537	6849	9000	\$3896	\$4046	\$3860	\$4010
34	II	52.18	SK 6282SC	18537	10425	13500	\$5303	\$5453	\$5439	\$5589
34	III	51.07	SK 6382SC	18537	10377	13500	\$5520	\$5670	\$5607	\$5757
33	III	53.38	SK 7382SC	19098	11795	18000	\$7003	\$7203	\$8227	\$8427
32	I	55.55	SK 5282SC	19695	6507	9000	\$3896	\$4046	\$3860	\$4010
31	III	56.91	SK 7282SC	20331	13195	18000	\$6845	\$7045	\$8093	\$8293
29	II	61.08	SK 6282SC	21733	11222	13500	\$5303	\$5453	\$5439	\$5589
29	III	59.52	SK 7382SC	21733	12083	18000	\$7003	\$7203	\$8227	\$8427
26	III	68.10	SK 7382SC	24240	12659	18000	\$7003	\$7203	\$8227	\$8427
25	III	69.73	SK 7282SC	25210	14138	18000	\$6845	\$7045	\$8093	\$8293
24	II	73.50	SK 6382SC	26260	10463	13500	\$5520	\$5670	\$5607	\$5757
23	II	75.18	SK 6382SC	27402	10463	13500	\$5520	\$5670	\$5607	\$5757
22	III	78.81	SK 7382SC	28648	13050	18000	\$7003	\$7203	\$8227	\$8427
19	II	92.63	SK 6382SC	33171	10463	13500	\$5520	\$5670	\$5607	\$5757
19	III	90.94	SK 8382SC	33171	16245	23625	\$9772	\$10172	\$11020	\$11420
17	III	103.21	SK 8382SC	37074	16245	23625	\$9772	\$10172	\$11020	\$11420
16	II	106.59	SK 7382SC	39391	13050	18000	\$7003	\$7203	\$8227	\$8427
15	I	114.79	SK 6382SC	42017	10463	13500	\$5520	\$5670	\$5607	\$5757
14	II	123.37	SK 7382SC	45018	13050	18000	\$7003	\$7203	\$8227	\$8427
14	III	125.38	SK 8382SC	45018	16245	23625	\$9772	\$10172	\$11020	\$11420
12	I	150.57	SK 7382SC	52521	13050	18000	\$7003	\$7203	\$8227	\$8427
12	III	143.91	SK 8382SC	52521	16245	23625	\$9772	\$10172	\$11020	\$11420
11	I	162.17	SK 7382SC	57295	13050	18000	\$7003	\$7203	\$8227	\$8427
10	III	175.05	SK 9382SC	63025	22048	29250	\$16398	\$16998	\$18630	\$19230
9	II	185.66	SK 8382SC	70028	16245	23625	\$9772	\$10172	\$11020	\$11420
9	III	204.68	SK 9382SC	70028	22950	29250	\$16398	\$16998	\$18630	\$19230
7	II	242.02	SK 8382SC	90036	16245	23625	\$9772	\$10172	\$11020	\$11420
6	I	294.01	SK 8382SC	105042	16245	23625	\$9772	\$10172	\$11020	\$11420
6	III	291.25	SK 9382SC	105042	22950	29250	\$16398	\$16998	\$18630	\$19230
5	II	352.36	SK 9382SC	126050	22950	29250	\$16398	\$16998	\$18630	\$19230

For NEMA C-Face motors see page 45.

For NSD add:

- SK 4282SC.....\$105 list for INTEGRAL GEARMOTOR and \$65 list for C-FACE REDUCER
- SK 5282SC-SK 6382SC.....\$125 list for INTEGRAL GEARMOTOR and \$75 list for C-FACE REDUCER
- SK 7382SC-SK 8383SC.....\$145 list for INTEGRAL GEARMOTOR and \$110 list for C-FACE REDUCER
- SK 9382SC.....\$175 list for INTEGRAL GEARMOTOR and \$120 list for C-FACE REDUCER

For INTEGRAL MOTOR OPTIONS see page 47.

# 15 HP

# Drive Selections

OUTPUT SPEED	AGMA CLASS	RED. RATIO	GEAR MODEL	OUTPUT TORQUE	STD. BEARING	H.D. BEARING	INPUT STYLE			
							INTEGRAL MOTOR		C-FACE REDUCER	
							"- 160 M/4"		"250 TC"	
n2 [RPM]		i <sub>total</sub>		T <sub>2</sub> [LB-IN.]	THRUST [LBS]	THRUST [LBS]	STD. BRG.	H.D. BRG.	STD. BRG.	H.D. BRG.
308	III	5.71	SK 5282SC	3069	2962	6187	\$4567	\$4717	\$4067	\$4217
290	III	6.06	SK 4282SC	3260	2230	5292	\$3693	\$3823	\$3023	\$3153
278	III	6.33	SK 5282SC	3401	3067	6406	\$4567	\$4717	\$4067	\$4217
247	III	7.13	SK 4282SC	3827	2311	5483	\$3693	\$3823	\$3023	\$3153
211	III	8.33	SK 4282SC	4480	2383	5652	\$3693	\$3823	\$3023	\$3153
202	III	8.70	SK 5282SC	4680	3388	7076	\$4567	\$4717	\$4067	\$4217
191	III	9.23	SK 4282SC	4950	2507	5828	\$3693	\$3823	\$3023	\$3153
186	III	9.46	SK 5282SC	5083	3520	7352	\$4567	\$4717	\$4067	\$4217
162	III	10.85	SK 4282SC	5836	2561	6008	\$3693	\$3823	\$3023	\$3153
139	III	12.68	SK 4282SC	6801	2610	6154	\$3693	\$3823	\$3023	\$3153
119	III	14.83	SK 6282SC	7944	6580	11625	\$6129	\$6279	\$5646	\$5796
116	II	15.20	SK 4282SC	8150	2691	6386	\$3693	\$3823	\$3023	\$3153
114	III	15.38	SK 5282SC	8293	4559	9000	\$4567	\$4717	\$4067	\$4217
100	III	17.59	SK 5282SC	9454	4700	9000	\$4567	\$4717	\$4067	\$4217
97	II	18.18	SK 4282SC	9746	2720	6541	\$3693	\$3823	\$3023	\$3153
93	III	18.88	SK 5282SC	10165	4844	9000	\$4567	\$4717	\$4067	\$4217
86	III	20.36	SK 5282SC	10993	4853	9000	\$4567	\$4717	\$4067	\$4217
82	I	21.45	SK 4282SC	11529	2747	6710	\$3693	\$3823	\$3023	\$3153
79	I	22.39	SK 4282SC	11967	2664	6678	\$3693	\$3823	\$3023	\$3153
77	III	22.95	SK 6282SC	12278	7641	13500	\$6129	\$6279	\$5646	\$5796
72	III	24.42	SK 6382SC	13130	7677	13500	\$6191	\$6341	\$5814	\$5964
70	II	25.00	SK 5282SC	13505	5123	9000	\$4567	\$4717	\$4067	\$4217
68	III	26.05	SK 6282SC	13903	7641	13500	\$6129	\$6279	\$5646	\$5796
65	III	26.89	SK 7282SC	14544	5231	15370	\$7563	\$7763	\$8299	\$8499
61	III	28.72	SK 6382SC	15498	8003	13500	\$6191	\$6341	\$5814	\$5964
59	III	29.90	SK 6282SC	16023	7641	13500	\$6129	\$6279	\$5646	\$5796
58	II	30.50	SK 5282SC	16300	5308	9000	\$4567	\$4717	\$4067	\$4217
57	III	30.91	SK 6382SC	16586	8199	13500	\$6191	\$6341	\$5814	\$5964
53	I	33.43	SK 5282SC	17837	4995	9000	\$4567	\$4717	\$4067	\$4217
51	III	34.64	SK 7282SC	18537	10500	18000	\$7563	\$7763	\$8299	\$8499

For NEMA C-Face motors see page 45.

For NSD add:

SK 4282SC-SK 4382SC.....\$105 list for INTEGRAL GEARMOTOR and \$65 list for C-FACE REDUCER

SK 5282SC-SK 6382SC.....\$125 list for INTEGRAL GEARMOTOR and \$75 list for C-FACE REDUCER

SK 7282SC-SK 7382SC.....\$145 list for INTEGRAL GEARMOTOR and \$110 list for C-FACE REDUCER

For INTEGRAL MOTOR OPTIONS see page 47.

# Drive Selections

# 15 HP

SELECTIONS

OUTPUT SPEED	AGMA CLASS	RED. RATIO	GEAR MODEL	OUTPUT TORQUE	STD. BEARING	H.D. BEARING	INPUT STYLE			
							INTEGRAL MOTOR		C-FACE REDUCER	
							"- 160 M/4"		"250 TC"	
n2 [RPM]		i <sub>total</sub>		T <sub>2</sub> [LB-IN.]	THRUST [LBS]	THRUST [LBS]	STD. BRG.	H.D. BRG.	STD. BRG.	H.D. BRG.
48	III	36.34	SK 6382SC	19695	8494	13500	\$6191	\$6341	\$5814	\$5964
45	I	39.48	SK 6282SC	21008	7641	13500	\$6129	\$6279	\$5646	\$5796
41	II	42.46	SK 6382SC	23058	8811	13500	\$6191	\$6341	\$5814	\$5964
39	II	45.02	SK 7282SC	24240	11163	18000	\$7563	\$7763	\$8299	\$8499
38	III	46.66	SK 7382SC	24878	10276	18000	\$7721	\$7921	\$8433	\$8633
34	I	52.18	SK 6282SC	27805	7641	13500	\$6129	\$6279	\$5646	\$5796
34	II	51.07	SK 6382SC	27805	9099	13500	\$6191	\$6341	\$5814	\$5964
33	III	53.38	SK 7382SC	28648	10559	18000	\$7721	\$7921	\$8433	\$8633
31	II	56.91	SK 7282SC	30496	11912	18000	\$7563	\$7763	\$8299	\$8499
31	III	57.43	SK 8382SC	30496	13271	23625	\$10490	\$10890	\$11226	\$11626
30	I	59.66	SK 6382SC	31513	9367	13500	\$6191	\$6341	\$5814	\$5964
30	III	59.52	SK 7382SC	31513	10764	18000	\$7721	\$7921	\$8433	\$8633
29	I	61.08	SK 6282SC	32599	7641	13500	\$6129	\$6279	\$5646	\$5796
27	III	65.22	SK 8382SC	35014	13484	23625	\$10490	\$10890	\$11226	\$11626
26	II	68.10	SK 7382SC	36361	10991	18000	\$7721	\$7921	\$8433	\$8633
25	II	69.73	SK 7282SC	37815	12585	18000	\$7563	\$7763	\$8299	\$8499
24	I	73.50	SK 6382SC	39391	9486	13500	\$6191	\$6341	\$5814	\$5964
23	I	75.18	SK 6382SC	41103	9655	13500	\$6191	\$6341	\$5814	\$5964
23	III	75.69	SK 8382SC	41103	14171	23625	\$10490	\$10890	\$11226	\$11626
22	II	78.81	SK 7382SC	42972	11259	18000	\$7721	\$7921	\$8433	\$8633
19	I	92.63	SK 6382SC	49757	9686	13500	\$6191	\$6341	\$5814	\$5964
19	III	90.94	SK 8382SC	49757	14846	23625	\$10490	\$10890	\$11226	\$11626
17	I	106.59	SK 7382SC	55610	11795	18000	\$7721	\$7921	\$8433	\$8633
17	II	103.21	SK 8382SC	55610	15158	23625	\$10490	\$10890	\$11226	\$11626
17	III	100.89	SK 9382SC	55610	17003	27032	\$17116	\$17716	\$18836	\$19436
15	III	115.57	SK 9382SC	63025	17557	27779	\$17116	\$17716	\$18836	\$19436
14	II	125.38	SK 8382SC	67527	15779	23625	\$10490	\$10890	\$11226	\$11626
13	III	135.90	SK 9382SC	72721	18542	29250	\$17116	\$17716	\$18836	\$19436
12	II	143.91	SK 8382SC	78781	16110	23625	\$10490	\$10890	\$11226	\$11626
12	III	144.69	SK 9382SC	78781	18659	29250	\$17116	\$17716	\$18836	\$19436
10	III	175.05	SK 9382SC	94538	19611	29250	\$17116	\$17716	\$18836	\$19436
9	I	185.66	SK 8382SC	105042	16292	23625	\$10490	\$10890	\$11226	\$11626
9	II	204.68	SK 9382SC	105042	20185	29250	\$17116	\$17716	\$18836	\$19436
6	I	291.25	SK 9382SC	157563	20545	29250	\$17116	\$17716	\$18836	\$19436
5	I	352.36	SK 9382SC	189075	20979	29250	\$17116	\$17716	\$18836	\$19436

For NEMA C-Face motors see page 45.

For NSD add:

- SK 6282SC-SK 6382SC.....\$125 list for INTEGRAL GEARMOTOR and \$75 list for C-FACE REDUCER
- SK 7282SC-SK 8382SC.....\$145 list for INTEGRAL GEARMOTOR and \$110 list for C-FACE REDUCER
- SK 9382SC.....\$175 list for INTEGRAL GEARMOTOR and \$120 list for C-FACE REDUCER

For INTEGRAL MOTOR OPTIONS see page 47.

# 20 HP

# Drive Selections

OUTPUT SPEED	AGMA CLASS	RED. RATIO	GEAR MODEL	OUTPUT TORQUE	STD. BEARING	H.D. BEARING	INPUT STYLE			
							INTEGRAL MOTOR		C-FACE REDUCER	
							"- 160 L/4"		"250 TC"	
n2 [RPM]		i <sub>total</sub>		T <sub>2</sub> [LB-IN.]	THRUST [LBS]	THRUST [LBS]	STD. BRG.	H.D. BRG.	STD. BRG.	H.D. BRG.
290	III	6.06	SK 4282SC	4347	1994	5085	\$4093	\$4223	\$3023	\$3153
278	III	6.33	SK 5282SC	4534	2900	6715	\$4968	\$5118	\$4067	\$4217
247	III	7.13	SK 4282SC	5103	2030	5225	\$4093	\$4223	\$3023	\$3153
225	III	7.82	SK 6282SC	5602	5015	10161	\$6529	\$6679	\$5646	\$5796
211	II	8.33	SK 4282SC	5974	2048	5369	\$4093	\$4223	\$3023	\$3153
202	III	8.70	SK 5282SC	6240	3537	8190	\$4968	\$5118	\$4067	\$4217
191	III	9.23	SK 4282SC	6599	2156	5535	\$4093	\$4223	\$3023	\$3153
186	III	9.46	SK 5282SC	6777	3683	8417	\$4968	\$5118	\$4067	\$4217
164	III	10.71	SK 5282SC	7686	3796	8663	\$4968	\$5118	\$4067	\$4217
162	II	10.85	SK 4282SC	7781	2156	5652	\$4093	\$4223	\$3023	\$3153
143	III	12.35	SK 6282SC	8815	5902	11958	\$6529	\$6679	\$5646	\$5796
139	II	12.68	SK 4282SC	9068	2133	5744	\$4093	\$4223	\$3023	\$3153
135	III	13.00	SK 5282SC	9337	3971	9000	\$4968	\$5118	\$4067	\$4217
119	III	14.83	SK 6282SC	10592	6233	12629	\$6529	\$6679	\$5646	\$5796
116	II	15.20	SK 4282SC	10866	2135	5893	\$4093	\$4223	\$3023	\$3153
114	II	15.38	SK 5282SC	11057	4160	9000	\$4968	\$5118	\$4067	\$4217
100	II	17.59	SK 5282SC	12605	4248	9000	\$4968	\$5118	\$4067	\$4217
97	I	18.18	SK 4282SC	12995	2068	5969	\$4093	\$4223	\$3023	\$3153
94	III	18.70	SK 6282SC	13410	6698	13381	\$6529	\$6679	\$5646	\$5796
93	II	18.88	SK 5282SC	13554	4345	9000	\$4968	\$5118	\$4067	\$4217
86	II	20.36	SK 5282SC	14657	4338	9000	\$4968	\$5118	\$4067	\$4217
77	III	22.95	SK 6282SC	16370	7119	13500	\$6529	\$6679	\$5646	\$5796
72	III	24.42	SK 6382SC	17507	7119	135000	\$6591	\$6741	\$5814	\$5964
70	I	25.00	SK 5282SC	18007	4478	9000	\$4968	\$5118	\$4067	\$4217
68	III	26.05	SK 6282SC	18537	7119	13500	\$6529	\$6679	\$5646	\$5796
61	III	28.72	SK 6382SC	20664	7340	135000	\$6591	\$6741	\$5814	\$5964
59	II	29.90	SK 6282SC	21364	7119	13500	\$6529	\$6679	\$5646	\$5796
58	I	30.50	SK 5282SC	21733	4514	9000	\$4968	\$5118	\$4067	\$4217
58	III	30.42	SK 7382SC	21733	8438	18000	\$8113	\$8313	\$8433	\$8633
57	II	30.91	SK 6382SC	22114	7434	135000	\$6591	\$6741	\$5814	\$5964
57	III	30.92	SK 8382SC	22114	10251	21152	\$10918	\$11318	\$11226	\$11626

For NEMA C-Face motors see page 45.

For NSD add:

SK 4282SC-SK 4382SC.....\$105 list for INTEGRAL GEARMOTOR and \$65 list for C-FACE REDUCER

SK 5282SC-SK 6382SC.....\$125 list for INTEGRAL GEARMOTOR and \$75 list for C-FACE REDUCER

SK 7282SC-SK 8382SC...\$145 list for INTEGRAL GEARMOTOR and \$110 list for C-FACE REDUCER

For INTEGRAL MOTOR OPTIONS see page 47.

# Drive Selections

# 20 HP

SELECTIONS

OUTPUT SPEED	AGMA CLASS	RED. RATIO	GEAR MODEL	OUTPUT TORQUE	STD. BEARING	H.D. BEARING	INPUT STYLE			
							INTEGRAL MOTOR		C-FACE REDUCER	
							"- 160 L/4"		"250 TC"	
n2 [RPM]		i <sub>total</sub>		T <sub>2</sub> [LB-IN.]	THRUST [LBS]	THRUST [LBS]	STD. BRG.	H.D. BRG.	STD. BRG.	H.D. BRG.
51	III	34.64	SK 7282SC	24716	9800	18000	\$7990	\$8190	\$8299	\$8499
48	II	36.34	SK 6382SC	26260	7641	135000	\$6591	\$6741	\$5814	\$5964
48	III	36.92	SK 7382SC	26260	8795	18000	\$8113	\$8313	\$8433	\$8633
45	I	39.48	SK 6282SC	28011	7119	13500	\$6529	\$6679	\$5646	\$5796
41	I	42.46	SK 6382SC	30744	7801	135000	\$6591	\$6741	\$5814	\$5964
40	III	43.59	SK 8382SC	31513	11396	23031	\$10918	\$11318	\$11226	\$11626
39	I	45.02	SK 7282SC	32321	10180	18000	\$7990	\$8190	\$8299	\$8499
38	II	46.66	SK 7382SC	33171	9288	18000	\$8113	\$8313	\$8433	\$8633
37	III	47.80	SK 8382SC	34068	11635	23479	\$10918	\$11318	\$11226	\$11626
34	I	52.18	SK 6282SC	37074	7119	13500	\$6529	\$6679	\$5646	\$5796
33	II	53.38	SK 7382SC	38197	9439	18000	\$8113	\$8313	\$8433	\$8633
31	I	56.91	SK 7282SC	40661	10672	18000	\$7990	\$8190	\$8299	\$8499
31	III	57.43	SK 8382SC	40661	12150	23625	\$10918	\$11318	\$11226	\$11626
30	I	59.66	SK 6382SC	42017	7877	13500	\$6591	\$6741	\$5814	\$5964
30	II	59.62	SK 7382SC	42017	9455	18000	\$8113	\$8313	\$8433	\$8633
27	III	65.22	SK 8382SC	46685	12366	23625	\$10918	\$11318	\$11226	\$11626
26	I	68.10	SK 7382SC	48481	9531	18000	\$8113	\$8313	\$8433	\$8633
25	I	69.73	SK 7282SC	50420	11117	18000	\$7990	\$8190	\$8299	\$8499
23	III	75.69	SK 8382SC	54804	12749	23625	\$10918	\$11318	\$11226	\$11626
22	I	78.81	SK 7382SC	57295	9623	18000	\$8113	\$8313	\$8433	\$8633
21	III	83.19	SK 9382SC	60024	14839	24948	\$17543	\$18143	\$18836	\$19436
19	II	90.94	SK 8382SC	66342	13037	23625	\$10918	\$11318	\$11226	\$11626
17	II	103.21	SK 8382SC	74147	13142	23625	\$10918	\$11318	\$11226	\$11626
17	III	100.89	SK 9382SC	74147	15694	26138	\$17543	\$18143	\$18836	\$19436
15	III	115.57	SK 9382SC	84033	16101	26773	\$17543	\$18143	\$18836	\$19436
14	I	125.38	SK 8382SC	90036	13419	23625	\$10918	\$11318	\$11226	\$11626
13	III	135.90	SK 9382SC	96962	16760	27824	\$17543	\$18143	\$18836	\$19436
12	I	143.91	SK 8382SC	105042	13334	23625	\$10918	\$11318	\$11226	\$11626
12	III	144.69	SK 9382SC	105042	16601	28049	\$17543	\$18143	\$18836	\$19436
10	II	175.05	SK 9382SC	126050	17280	29007	\$17543	\$18143	\$18836	\$19436
9	I	204.68	SK 9382SC	140056	17334	29250	\$17543	\$18143	\$18836	\$19436
6	I	291.25	SK 9382SC	210083	16416	29250	\$17543	\$18143	\$18836	\$19436

For NEMA C-Face motors see page 45.

For NSD add:

SK 4282SC-SK 4382SC.....\$105 list for INTEGRAL GEARMOTOR and \$65 list for C-FACE REDUCER

SK 5282SC-SK 6382SC.....\$125 list for INTEGRAL GEARMOTOR and \$75 list for C-FACE REDUCER

SK 7282SC-SK 8382SC...\$145 list for INTEGRAL GEARMOTOR and \$110 list for C-FACE REDUCER

For INTEGRAL MOTOR OPTIONS see page 47.

# 25 HP

# Drive Selections

OUTPUT SPEED	AGMA CLASS	RED. RATIO	GEAR MODEL	OUTPUT TORQUE	STD. BEARING	H.D. BEARING	INPUT STYLE			
							INTEGRAL MOTOR		C-FACE REDUCER	
							"- 180 M/4"		"280 TC"	
n2 [RPM]		i <sub>total</sub>		T <sub>2</sub> [LB-IN.]	THRUST [LBS]	THRUST [LBS]	STD. BRG.	H.D. BRG.	STD. BRG.	H.D. BRG.
306	III	5.71	SK 5282SC	5149	2986	7286	\$5203	\$5353	\$4067	\$4217
303	III	5.78	SK 6282SC	5200	4380	9343	\$6764	\$6914	\$5646	\$5796
292	III	5.99	SK 6282SC	5396	4432	9454	\$6764	\$6914	\$5646	\$5796
276	III	6.33	SK 5282SC	5709	3067	7452	\$5203	\$5353	\$4067	\$4217
260	III	6.74	SK 6282SC	6060	4606	9826	\$6764	\$6914	\$5646	\$5796
244	III	7.17	SK 5282SC	6457	3164	7670	\$5203	\$5353	\$4067	\$4217
224	III	7.82	SK 6282SC	7034	4825	10292	\$6764	\$6914	\$5646	\$5796
201	III	8.70	SK 5282SC	7839	3303	7983	\$5203	\$5353	\$4067	\$4217
186	III	9.39	SK 6282SC	8471	5100	10880	\$6764	\$6914	\$5646	\$5796
185	III	9.46	SK 5282SC	8517	3438	8204	\$5203	\$5353	\$4067	\$4217
164	III	10.64	SK 6282SC	9607	5369	11453	\$6764	\$6914	\$5646	\$5796
163	II	10.71	SK 5282SC	9666	3515	8404	\$5203	\$5353	\$4067	\$4217
157	III	11.16	SK 7282SC	10036	6625	15009	\$8242	\$8442	\$8299	\$8499
142	III	12.35	SK 6282SC	11096	5607	11864	\$6764	\$6914	\$5646	\$5796
135	III	13.00	SK 5282SC	11671	3647	8748	\$5203	\$5353	\$4067	\$4217
118	III	14.83	SK 6282SC	13353	5873	12368	\$6764	\$6914	\$5646	\$5796
114	II	15.38	SK 5282SC	13821	3760	9000	\$5203	\$5353	\$4067	\$4217
107	III	16.29	SK 7282SC	14725	7245	16414	\$8242	\$8442	\$8299	\$8499
99	II	17.59	SK 5282SC	15915	3796	9000	\$5203	\$5353	\$4067	\$4217
94	III	18.70	SK 6282SC	16762	6253	13041	\$6764	\$6914	\$5646	\$5796
93	I	18.88	SK 5282SC	16942	3877	9000	\$5203	\$5353	\$4067	\$4217
88	III	19.97	SK 7282SC	17905	7245	16414	\$8242	\$8442	\$8299	\$8499
86	I	20.36	SK 5282SC	18321	3796	9000	\$5203	\$5353	\$4067	\$4217
77	III	22.87	SK 7282SC	20463	7245	16414	\$8242	\$8442	\$8299	\$8499
76	II	22.95	SK 6282SC	20732	6624	13500	\$6764	\$6914	\$5646	\$5796
72	II	24.42	SK 6382SC	21884	6518	13500	\$6826	\$6976	\$5814	\$5964
70	I	25.00	SK 5282SC	22509	3877	9000	\$5203	\$5353	\$4067	\$4217
67	II	26.05	SK 6282SC	23517	6624	13500	\$6764	\$6914	\$5646	\$5796
65	III	26.89	SK 7282SC	24240	7245	16414	\$8242	\$8442	\$8299	\$8499
61	II	28.72	SK 6382SC	25830	6644	13500	\$6826	\$6976	\$5814	\$5964
59	II	29.90	SK 6282SC	26706	6624	13500	\$6764	\$6914	\$5646	\$5796
58	III	30.42	SK 7382SC	27166	7799	17840	\$8400	\$8600	\$8433	\$8633
57	II	30.91	SK 6382SC	27643	6698	13500	\$6826	\$6976	\$5814	\$5964
51	II	34.64	SK 7282SC	30895	7245	16414	\$8242	\$8442	\$8299	\$8499
49	III	35.88	SK 8382SC	32156	10136	21520	\$11169	\$11569	\$11226	\$11626
48	I	36.34	SK 6382SC	32826	6764	13500	\$6826	\$6976	\$5814	\$5964
47	II	36.92	SK 7382SC	33524	8015	18000	\$8400	\$8600	\$8433	\$8633
41	I	42.46	SK 6382SC	38430	6764	13500	\$6826	\$6976	\$5814	\$5964
40	III	43.59	SK 8382SC	39391	10620	22410	\$11169	\$11569	\$11226	\$11626

For NEMA C-Face motors see page 45.

For NSD add:

SK 5282SC-SK 6382SC.....\$125 list for INTEGRAL GEARMOTOR and \$75 list for C-FACE REDUCER

SK 7282SC-SK 8382SC.....\$145 list for INTEGRAL GEARMOTOR and \$110 list for C-FACE REDUCER

For INTEGRAL MOTOR OPTIONS see page 47.

# Drive Selections

# 25 HP

OUTPUT SPEED	AGMA CLASS	RED. RATIO	GEAR MODEL	OUTPUT TORQUE	STD. BEARING	H.D. BEARING	INPUT STYLE			
							INTEGRAL MOTOR		C-FACE REDUCER	
							"- 180 M/4"		"280 TC"	
n2 [RPM]		i <sub>total</sub>		T <sub>2</sub> [LB-IN.]	THRUST [LBS]	THRUST [LBS]	STD. BRG.	H.D. BRG.	STD. BRG.	H.D. BRG.
38	II	46.66	SK 7382SC	41464	8303	18000	\$8400	\$8600	\$8433	\$8633
37	III	47.80	SK 8382SC	42584	10739	22811	\$11169	\$11569	\$11226	\$11626
33	I	53.38	SK 7382SC	47746	8357	18000	\$8400	\$8600	\$8433	\$8633
30	III	57.43	SK 8382SC	52521	11088	23625	\$11169	\$11569	\$11226	\$11626
29	I	59.92	SK 7382SC	54332	8183	18000	\$8400	\$8600	\$8433	\$8633
27	II	65.22	SK 8382SC	58356	11178	23625	\$11169	\$11569	\$11226	\$11626
27	III	65.25	SK 9382SC	58356	13284	23400	\$17794	\$18394	\$18836	\$19436
26	I	68.10	SK 7382SC	60601	8105	18000	\$8400	\$8600	\$8433	\$8633
24	III	72.19	SK 9382SC	65651	13543	23776	\$17794	\$18394	\$18836	\$19436
23	II	75.69	SK 8382SC	68505	11396	23625	\$11169	\$11569	\$11226	\$11626
21	III	83.19	SK 9382SC	75030	13739	24201	\$17794	\$18394	\$18836	\$19436
19	I	90.94	SK 8382SC	82928	11396	23625	\$11169	\$11569	\$11226	\$11626
17	I	103.21	SK 8382SC	92684	11286	23625	\$11169	\$11569	\$11226	\$11626
17	III	100.89	SK 9382SC	92684	14393	25229	\$17794	\$18394	\$18836	\$19436
15	III	115.57	SK 9382SC	105042	14695	25760	\$17794	\$18394	\$18836	\$19436
14	I	125.38	SK 8382SC	112545	11178	23625	\$11169	\$11569	\$11226	\$11626
13	II	135.90	SK 9382SC	121202	14886	26559	\$17794	\$18394	\$18836	\$19436
12	II	144.69	SK 9382SC	131302	14578	26600	\$17794	\$18394	\$18836	\$19436
10	I	175.05	SK 9382SC	157563	14839	27380	\$17794	\$18394	\$18836	\$19436

For NEMA C-Face motors see page 45.

For NSD add:

- SK 5282SC-SK 6382SC.....\$125 list for INTEGRAL GEARMOTOR and \$75 list for C-FACE REDUCER
- SK 7282SC-SK 8382SC.....\$145 list for INTEGRAL GEARMOTOR and \$110 list for C-FACE REDUCER
- SK 9382SC.....\$175 list for INTEGRAL GEARMOTOR and \$120 list for C-FACE REDUCER

For INTEGRAL MOTOR OPTIONS see page 47.

SELECTIONS

# 30 HP

# Drive Selections

OUTPUT SPEED	AGMA CLASS	RED. RATIO	GEAR MODEL	OUTPUT TORQUE	STD. BEARING	H.D. BEARING	INPUT STYLE			
							INTEGRAL MOTOR		C-FACE REDUCER	
							"- 180 L/4"		"280 TC"	
n2 [RPM]		i <sub>total</sub>		T <sub>2</sub> [LB-IN.]	THRUST [LBS]	THRUST [LBS]	STD. BRG.	H.D. BRG.	STD. BRG.	H.D. BRG.
307	III	5.71	SK 5282SC	6159	2835	7135	\$5365	\$5515	\$4067	\$4217
304	III	5.78	SK 6282SC	6220	4245	9055	\$6926	\$7076	\$5646	\$5796
293	III	5.99	SK 6282SC	6453	4292	9155	\$6926	\$7076	\$5646	\$5796
277	III	6.33	SK 5282SC	6826	2900	7297	\$5365	\$5515	\$4067	\$4217
260	III	6.74	SK 6282SC	7272	4445	9482	\$6926	\$7076	\$5646	\$5796
245	III	7.17	SK 5282SC	7717	2975	7511	\$5365	\$5515	\$4067	\$4217
224	III	7.82	SK 6282SC	8441	4640	9898	\$6926	\$7076	\$5646	\$5796
202	III	8.70	SK 5282SC	9360	3067	7781	\$5365	\$5515	\$4067	\$4217
187	III	9.39	SK 6282SC	10111	5369	11453	\$6926	\$7076	\$5646	\$5796
186	II	9.46	SK 5282SC	10165	3167	7997	\$5365	\$5515	\$4067	\$4217
177	III	9.92	SK 7282SC	10682	6081	13777	\$8415	\$8615	\$8299	\$8499
165	III	10.64	SK 6282SC	11459	5369	11453	\$6926	\$7076	\$5646	\$5796
164	II	10.71	SK 5282SC	11529	3260	8177	\$5365	\$5515	\$4067	\$4217
157	III	11.16	SK 7282SC	12043	6401	14502	\$8415	\$8615	\$8299	\$8499
142	III	12.35	SK 6282SC	13315	5607	11864	\$6926	\$7076	\$5646	\$5796
136	III	12.89	SK 7282SC	13903	7245	16414	\$8415	\$8615	\$8299	\$8499
135	II	13.00	SK 5282SC	14006	3296	8444	\$5365	\$5515	\$4067	\$4217
118	III	14.83	SK 6282SC	16023	5873	12368	\$6926	\$7076	\$5646	\$5796
114	I	15.38	SK 5282SC	16586	3362	8705	\$5365	\$5515	\$4067	\$4217
108	III	16.29	SK 7282SC	17507	7245	16414	\$8415	\$8615	\$8299	\$8499
100	I	17.59	SK 5282SC	18908	3330	8845	\$5365	\$5515	\$4067	\$4217
94	II	18.70	SK 6282SC	20114	6253	13041	\$6926	\$7076	\$5646	\$5796
93	I	18.88	SK 5282SC	20331	3404	9000	\$5365	\$5515	\$4067	\$4217
88	III	19.97	SK 7282SC	21486	7245	16414	\$8415	\$8615	\$8299	\$8499
86	I	20.36	SK 5282SC	21985	3276	8989	\$5365	\$5515	\$4067	\$4217
77	III	22.87	SK 7282SC	24555	7245	16414	\$8415	\$8615	\$8299	\$8499
76	II	22.95	SK 6282SC	24878	6624	13500	\$6926	\$7076	\$5646	\$5796
72	II	24.42	SK 6382SC	26260	5940	13253	\$6989	\$7139	\$5814	\$5964
67	II	26.05	SK 6282SC	28220	6624	13500	\$6926	\$7076	\$5646	\$5796
65	II	26.89	SK 7282SC	29088	7245	16414	\$8415	\$8615	\$8299	\$8499
65	III	26.88	SK 7382SC	29088	7061	16922	\$8573	\$8773	\$8433	\$8633
62	III	28.33	SK 8282SC	30496	9133	20063	\$8573	\$8773	\$8433	\$8633
61	I	28.72	SK 6382SC	30996	5987	13500	\$6989	\$7139	\$5814	\$5964
59	I	29.90	SK 6282SC	32047	6624	13500	\$6926	\$7076	\$5646	\$5796
58	II	30.42	SK 7382SC	32599	7175	17224	\$8573	\$8773	\$8433	\$8633
57	I	30.91	SK 6382SC	33171	5987	13500	\$6989	\$7139	\$5814	\$5964
57	III	30.92	SK 8382SC	33171	9493	21020	\$11343	\$11743	\$11226	\$11626
51	II	34.64	SK 7282SC	37074	7245	16414	\$8415	\$8615	\$8299	\$8499

For NEMA C-Face motors see page 45.

For NSD add:

SK 5282SC-SK 6382SC.....\$125 list for INTEGRAL GEARMOTOR and \$75 list for C-FACE REDUCER

SK 7282SC-SK 8382SC.....\$145 list for INTEGRAL GEARMOTOR and \$110 list for C-FACE REDUCER

For INTEGRAL MOTOR OPTIONS see page 47.

# Drive Selections

# 30 HP

SELECTIONS

OUTPUT SPEED	AGMA CLASS	RED. RATIO	GEAR MODEL	OUTPUT TORQUE	STD. BEARING	H.D. BEARING	INPUT STYLE			
							INTEGRAL MOTOR		C-FACE REDUCER	
							"- 180 L/4"		"280 TC"	
n2 [RPM]		i <sub>total</sub>		T <sub>2</sub> [LB-IN.]	THRUST [LBS]	THRUST [LBS]	STD. BRG.	H.D. BRG.	STD. BRG.	H.D. BRG.
49	III	35.88	SK 8382SC	38587	9896	21879	\$11343	\$11743	\$11226	\$11626
48	I	36.34	SK 6382SC	39391	5931	13500	\$6989	\$7139	\$5814	\$5964
48	II	36.92	SK 7382SC	39391	7245	17899	\$8573	\$8773	\$8433	\$8633
40	III	43.59	SK 8382SC	47269	9896	22160	\$11343	\$11743	\$11226	\$11626
38	I	46.66	SK 7382SC	49757	7337	18000	\$8573	\$8773	\$8433	\$8633
37	III	47.80	SK 8382SC	51101	10089	22919	\$11343	\$11743	\$11226	\$11626
36	III	48.44	SK 9382SC	52521	11648	21357	\$17968	\$18568	\$18836	\$19436
33	I	53.38	SK 7382SC	57295	7245	18000	\$8573	\$8773	\$8433	\$8633
32	III	55.49	SK 9382SC	59086	12008	22016	\$17968	\$18568	\$18836	\$19436
31	II	57.43	SK 8382SC	60992	10089	23141	\$11343	\$11743	\$11226	\$11626
29	I	59.62	SK 7382SC	65198	6894	18000	\$8573	\$8773	\$8433	\$8633
27	II	65.22	SK 8382SC	70028	9992	23625	\$11343	\$11743	\$11226	\$11626
27	III	65.25	SK 9382SC	70028	12400	22770	\$17968	\$18568	\$18836	\$19436
24	III	72.19	SK 9382SC	78781	12539	23139	\$17968	\$18568	\$18836	\$19436
23	I	75.69	SK 8382SC	82207	9691	23625	\$11343	\$11743	\$11226	\$11626
21	III	83.19	SK 9382SC	90036	12661	23436	\$17968	\$18568	\$18836	\$19436
19	I	90.94	SK 8382SC	99513	9401	23625	\$11343	\$11743	\$11226	\$11626
17	I	103.21	SK 8382SC	111221	8930	23625	\$11343	\$11743	\$11226	\$11626
17	III	100.89	SK 9382SC	111221	13136	24356	\$17968	\$18568	\$18836	\$19436
15	II	115.57	SK 9382SC	126050	13178	24750	\$17968	\$18568	\$18836	\$19436
13	II	135.90	SK 9382SC	145442	13136	25353	\$17968	\$18568	\$18836	\$19436
12	I	144.69	SK 9382SC	157563	12620	25191	\$17968	\$18568	\$18836	\$19436
10	I	175.05	SK 9382SC	189075	12499	25760	\$17968	\$18568	\$18836	\$19436

For NEMA C-Face motors see page 45.

For NSD add:

SK 5282SC-SK 6382SC.....\$125 list for INTEGRAL GEARMOTOR and \$75 list for C-FACE REDUCER

SK 7282SC-SK 8382SC.....\$145 list for INTEGRAL GEARMOTOR and \$110 list for C-FACE REDUCER

SK 9382SC.....\$175 list for INTEGRAL GEARMOTOR and \$120 list for C-FACE REDUCER

For INTEGRAL MOTOR OPTIONS see page 47.

# 40 HP

# Drive Selections

OUTPUT SPEED	AGMA CLASS	RED. RATIO	GEAR MODEL	OUTPUT TORQUE	STD. BEARING	H.D. BEARING	INPUT STYLE			
							INTEGRAL MOTOR		C-FACE REDUCER	
							"- 200 L/4"		"320 TC"	
n2 [RPM]		i <sub>total</sub>		T <sub>2</sub> [LB-IN.]	THRUST [LBS]	THRUST [LBS]	STD. BRG.	H.D. BRG.	STD. BRG.	H.D. BRG.
304	III	5.78	SK 6282SC	8293	3947	9403	\$8798	\$8948	\$7390	\$7540
293	III	5.99	SK 6282SC	8604	3992	9479	\$8798	\$8948	\$7390	\$7540
276	III	6.36	SK 7282SC	9134	4923	12679	\$10416	\$10616	\$9234	\$9434
260	III	6.74	SK 6282SC	9696	4115	9725	\$8798	\$8948	\$7390	\$7540
234	III	7.49	SK 7282SC	10774	4923	12679	\$10416	\$10616	\$9234	\$9434
224	III	7.82	SK 6282SC	11254	4241	10042	\$8798	\$8948	\$7390	\$7540
203	III	8.66	SK 7282SC	12419	4923	12679	\$10416	\$10616	\$9234	\$9434
187	III	9.39	SK 6282SC	13481	4394	10436	\$8798	\$8948	\$7390	\$7540
185	III	9.48	SK 7282SC	13627	5157	13050	\$10416	\$10616	\$9234	\$9434
177	III	9.92	SK 7282SC	14243	5092	13073	\$10416	\$10616	\$9234	\$9434
165	III	10.64	SK 6282SC	15279	4655	10827	\$8798	\$8948	\$7390	\$7540
157	III	11.16	SK 7282SC	16057	5360	13543	\$10416	\$10616	\$9234	\$9434
142	III	12.35	SK 6282SC	17754	4768	11144	\$8798	\$8948	\$7390	\$7540
136	III	12.89	SK 7282SC	18537	5526	13984	\$10416	\$10616	\$9234	\$9434
118	II	14.83	SK 6282SC	21364	4885	11527	\$8798	\$8948	\$7390	\$7540
108	III	16.29	SK 7282SC	23343	5825	14742	\$10416	\$10616	\$9234	\$9434
101	III	17.40	SK 8282SC	24960	7380	17341	\$10574	\$10774	\$9368	\$9568
94	II	18.70	SK 6282SC	26819	5004	11997	\$8798	\$8948	\$7390	\$7540
88	II	19.97	SK 7282SC	28648	6093	15444	\$10416	\$10616	\$9234	\$9434
83	III	21.13	SK 8282SC	30373	7767	18164	\$10574	\$10774	\$9368	\$9568
77	II	22.87	SK 7282SC	32740	6172	15795	\$10416	\$10616	\$9234	\$9434
76	I	22.95	SK 6282SC	33171	5110	12429	\$8798	\$8948	\$7390	\$7540
72	III	24.50	SK 8282SC	35014	7994	18727	\$10574	\$10774	\$9368	\$9568
65	I	26.89	SK 7282SC	38785	6221	16205	\$10416	\$10616	\$9234	\$9434
65	II	26.88	SK 7382SC	38785	5929	16283	\$10574	\$10774	\$9368	\$9568
62	III	28.33	SK 8282SC	40661	8177	19276	\$10574	\$10774	\$9368	\$9568
58	I	30.42	SK 7382SC	43466	5929	16283	\$10574	\$10774	\$9368	\$9568
57	III	30.92	SK 8382SC	44228	8152	19431	\$13344	\$13744	\$12141	\$12541
49	III	35.88	SK 8382SC	51449	8242	20000	\$13344	\$13744	\$12141	\$12541
48	I	36.92	SK 7382SC	52521	5798	16652	\$10574	\$10774	\$9368	\$9568
42	III	41.93	SK 9382SC	60024	10197	19870	\$19969	\$20569	\$19751	\$20351
40	II	43.59	SK 8382SC	63025	8417	20651	\$13344	\$13744	\$12141	\$12541
37	II	47.80	SK 8382SC	68135	8242	20817	\$13344	\$13744	\$12141	\$12541
36	III	48.44	SK 9382SC	70028	10395	20417	\$19969	\$20569	\$19751	\$20351
32	III	55.49	SK 9382SC	78781	10528	20916	\$19969	\$20569	\$19751	\$20351
31	I	57.43	SK 8382SC	81323	7994	21256	\$13344	\$13744	\$12141	\$12541
27	I	65.22	SK 8382SC	93370	7830	21427	\$13344	\$13744	\$12141	\$12541
27	III	65.25	SK 9382SC	93370	10613	21458	\$19969	\$20569	\$19751	\$20351
24	III	72.19	SK 9382SC	105042	10613	21699	\$19969	\$20569	\$19751	\$20351
23	I	75.69	SK 8382SC	109609	7297	21564	\$13344	\$13744	\$12141	\$12541
21	II	83.19	SK 9382SC	120048	10613	21911	\$19969	\$20569	\$19751	\$20351
17	II	100.89	SK 9382SC	148294	10613	22552	\$19969	\$20569	\$19751	\$20351
15	I	115.57	SK 9382SC	168067	10395	22698	\$19969	\$20569	\$19751	\$20351
13	I	135.90	SK 9382SC	193923	9594	22806	\$19969	\$20569	\$19751	\$20351

For NEMA C-Face motors see page 45.

For NSD add:

SK 6282SC-SK 6382SC.....\$125 list for INTEGRAL GEARMOTOR and \$75 list for C-FACE REDUCER

SK 7282SC-SK 8382SC.....\$145 list for INTEGRAL GEARMOTOR and \$110 list for C-FACE REDUCER

SK 9382SC.....\$175 list for INTEGRAL GEARMOTOR and \$120 list for C-FACE REDUCER

For INTEGRAL MOTOR OPTIONS consult factory.

# Drive Selections

# 50 HP

SELECTIONS

OUTPUT SPEED	AGMA CLASS	RED. RATIO	GEAR MODEL	OUTPUT TORQUE	STD. BEARING	H.D. BEARING	INPUT STYLE			
							INTEGRAL MOTOR		C-FACE REDUCER	
							"- 200 L/4"		"320 TC"	
n2 [RPM]		i <sub>total</sub>		T <sub>2</sub> [LB-IN.]	THRUST [LBS]	THRUST [LBS]	STD. BRG.	H.D. BRG.	STD. BRG.	H.D. BRG.
331	III	5.30	SK 7282SC	9520	4100	11066	\$11416	\$11616	\$9234	\$9434
276	III	6.36	SK 7282SC	11418	4282	11554	\$11416	\$11616	\$9234	\$9434
234	III	7.49	SK 7282SC	13467	4451	11988	\$11416	\$11616	\$9234	\$9434
203	III	8.66	SK 7282SC	15523	4588	12380	\$11416	\$11616	\$9234	\$9434
185	III	9.48	SK 7282SC	17034	4790	12742	\$11416	\$11616	\$9234	\$9434
177	III	9.92	SK 7282SC	17804	4685	12742	\$11416	\$11616	\$9234	\$9434
157	III	11.16	SK 7282SC	20072	4930	13178	\$11416	\$11616	\$9234	\$9434
136	III	12.89	SK 7282SC	23171	5027	13563	\$11416	\$11616	\$9234	\$9434
108	III	16.29	SK 7282SC	29178	5231	14231	\$11416	\$11616	\$9234	\$9434
101	III	17.40	SK 8282SC	31200	6800	16873	\$13846	\$14246	\$11652	\$12052
88	II	19.97	SK 7282SC	35810	5342	14765	\$11416	\$11616	\$9234	\$9434
83	III	21.13	SK 8282SC	37967	7079	17564	\$13846	\$14246	\$11652	\$12052
77	II	22.67	SK 7382SC	40925	5076	14861	\$11574	\$11774	\$9368	\$9568
72	III	24.50	SK 8282SC	43767	7216	18079	\$13846	\$14246	\$11652	\$12052
65	I	26.88	SK 7382SC	48481	4923	15149	\$11574	\$11774	\$9368	\$9568
65	III	26.89	SK 9282SC	48481	8755	17703	\$20947	\$21547	\$18889	\$19489
62	II	28.33	SK 8282SC	50827	7238	18518	\$13846	\$14246	\$11652	\$12052
58	I	30.42	SK 7382SC	54332	4730	15296	\$11574	\$11774	\$9368	\$9568
57	III	30.79	SK 9282SC	55285	8939	18164	\$20947	\$21547	\$18889	\$19489
57	III	30.92	SK 8382SC	55285	7146	18608	\$14343	\$14743	\$12141	\$12541
51	III	34.38	SK 9282SC	61789	9115	18547	\$20947	\$21547	\$18889	\$19489
49	II	35.88	SK 8382SC	64311	7022	18999	\$14343	\$14743	\$12141	\$12541
49	III	35.61	SK 9382SC	64311	8969	18605	\$20969	\$21569	\$19751	\$20351
42	III	41.93	SK 9382SC	75030	9115	19089	\$20969	\$21569	\$19751	\$20351
40	I	43.59	SK 8382SC	78781	7000	19492	\$14343	\$14743	\$12141	\$12541
37	I	47.80	SK 8382SC	85169	6586	19460	\$14343	\$14743	\$12141	\$12541
36	III	48.44	SK 9382SC	87535	9128	19492	\$20969	\$21569	\$19751	\$20351
32	III	55.49	SK 9382SC	98477	9115	19870	\$20969	\$21569	\$19751	\$20351
31	I	57.43	SK 8382SC	101653	5954	19618	\$14343	\$14743	\$12141	\$12541
27	II	65.25	SK 9382SC	116713	8926	20189	\$20969	\$21569	\$19751	\$20351
24	II	72.19	SK 9382SC	131302	8755	20288	\$20969	\$21569	\$19751	\$20351
21	II	83.19	SK 9382SC	150060	8494	20385	\$20969	\$21569	\$19751	\$20351
17	I	100.89	SK 9382SC	185368	8159	20750	\$20969	\$21569	\$19751	\$20351
15	I	115.57	SK 9382SC	210083	7666	20682	\$20969	\$21569	\$19751	\$20351

For NEMA C-Face motors see page 45.

For NSD add:

SK 7282SC-SK 8382SC.....\$145 list for INTEGRAL GEARMOTOR and \$110 list for C-FACE REDUCER

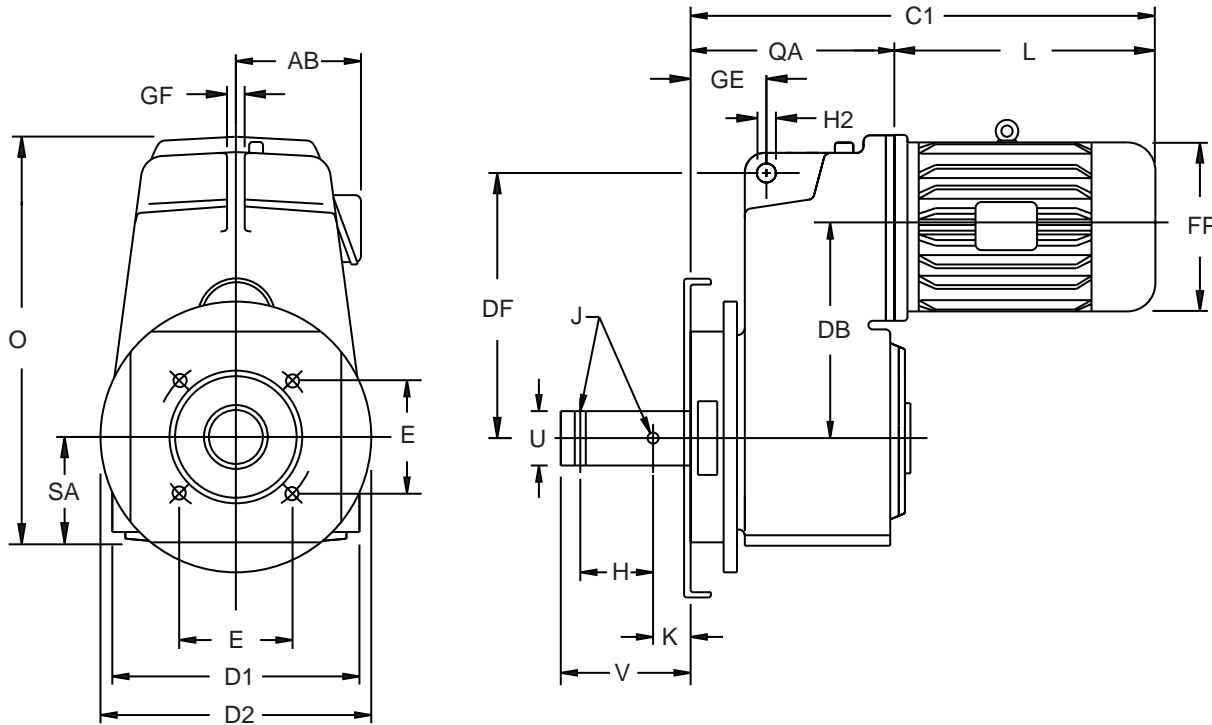
SK 9282SC-SK 9382SC.....\$175 list for INTEGRAL GEARMOTOR and \$120 list for C-FACE REDUCER

For INTEGRAL MOTOR OPTIONS consult factory.

# Nord Screw Conveyor Drive

Double Reduction

## Sizes SK 1282SC - SK 4282SC



### Gear Motor Dimensions

for 1-1/2" and 2" shafts

Unit Size	Integral Motor	Mounting Dimensions				Outline Dimensions									
		DF	GE	GF	H2	AB	C1	D1	D2	DB	FP	L	O	QA	SA
SK 1282SC	-71 S/L	6.50	1.34	0.55	0.43	4.57	14.21	6.22	8.50	4.80	5.71	9.76	10.69	6.34	3.03
	-80 S/L					4.88	15.16				6.38	10.71	11.02		
	-90S/L					5.12	16.65				7.13	12.20	11.40		
	-100L					6.22	19.06				7.99	14.61	11.83		
SK 2282SC	-71 S/L	8.31	3.38	0.63	0.55	4.57	16.58	7.48	8.50	5.79	5.71	9.53	13.27	7.05	3.54
	-80 S/L					4.88	17.52				6.38	10.47	13.27		
	-90S/L					5.12	19.02				7.13	11.97	13.27		
	-100L					6.22	21.42				7.99	14.37	13.33		
SK 3282SC	-71 S/L	9.84	3.58	0.71	0.55	4.57	17.52	8.90	8.50	7.01	5.71	9.53	15.16	7.99	4.21
	-80 S/L					4.88	18.46				6.38	10.47	15.16		
	-90S/L					5.12	19.96				7.13	11.97	15.16		
	-100L					6.20	22.36				7.99	14.37	15.22		
SK 4282SC	-132S/M	11.06	4.09	0.87	0.87	7.72	24.49	10.04	10.04	8.11	10.47	16.50	16.46	9.64	4.84
	-90S/L					5.12	21.84				7.13	12.20	17.87		
	-100L					6.22	23.22				7.99	13.58	17.87		
	-132S/M					7.72	25.35				10.47	15.71	18.19		
	-160M/L					9.21	28.58				12.60	18.94	19.25		

Dimensions are in inches and are subject to change.

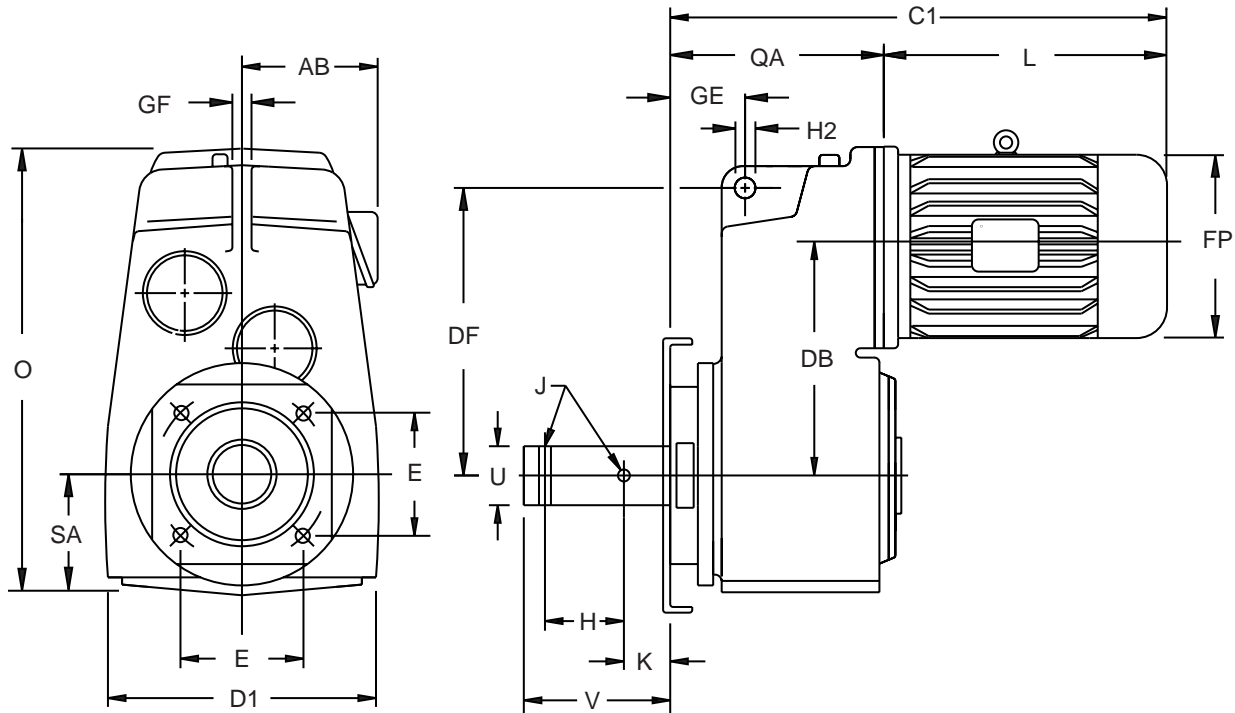
DXF files available upon request.

See Page 44 for shaft dimensions E, H, J, K, U & V.

# Nord Screw Conveyor Drive

Double Reduction

## Sizes SK 5282SC - SK 9282SC



DIMENSIONS

### Gear Motor Dimensions

for 2", 2-7/16" and 3-7/16" shafts

Unit Size	Integral Motor	Mounting Dimensions				Outline Dimensions										
		DF	GE	GF	H2	AB	D1	DB	FP	L	O	C1		QA		SA
												2" to 3"	3-7/16"	2" to 3"	3-7/16"	
SK 5282SC	-90S/L					5.12			7.13	12.20	20.55	22.45	22.95			
	-100L					6.22			7.99	13.58	20.55	23.83	24.33			
	-132S/M	13.42	4.35	1.10	0.87	7.72	12.05	9.88	10.47	15.71	20.87	25.96	26.46	10.25	10.75	5.75
	-160M/L					9.21			12.60	18.94	21.93	29.19	29.69			
	-180M/L					9.21			12.60	22.83	21.93	33.08	33.58			
SK 6282SC	-100L					6.22			7.99	12.78	22.79	26.48	26.98			
	-132S/M					7.72			10.47	15.55	23.07	29.25	29.75			
	-160M/L	14.06	5.18	1.38	1.02	8.21	13.78	11.06	12.60	18.94	24.13	32.64	33.14	13.70	14.20	6.77
	-180M/L					9.21			12.60	21.50	24.13	35.20	35.70			
	-200L					14.20			17.00	27.36	26.33	41.06	42.56			
SK 7282SC	-132S/M					7.72			10.47	15.55	25.44	29.78	30.28			
	-160M/L					9.21			12.60	18.94	26.50	33.17	33.67			
	-180M/L	15.71	5.25	1.57	1.02	9.21	16.14	12.44	12.60	21.50	26.50	35.73	36.23	14.23	14.73	7.76
	-200L					14.20			17.00	27.36	28.70	41.59	42.09			
	-225S					15.10			17.00	27.48	28.70	41.71	42.21			
SK 8282SC	-180L	18.31	3.27	1.97	1.22	9.21	18.50	14.17	12.60	21.50	29.13	38.01	38.51	16.51	17.01	8.66
	-225S					14.20			17.00	27.48	31.33	43.99	44.49			
SK 9282SC	-225S	22.99	3.70	2.17	1.22	14.20	24.02	18.27	17.00	27.48	36.97	45.80	46.30	18.32	18.82	11.61

Dimensions are in inches and are subject to change.

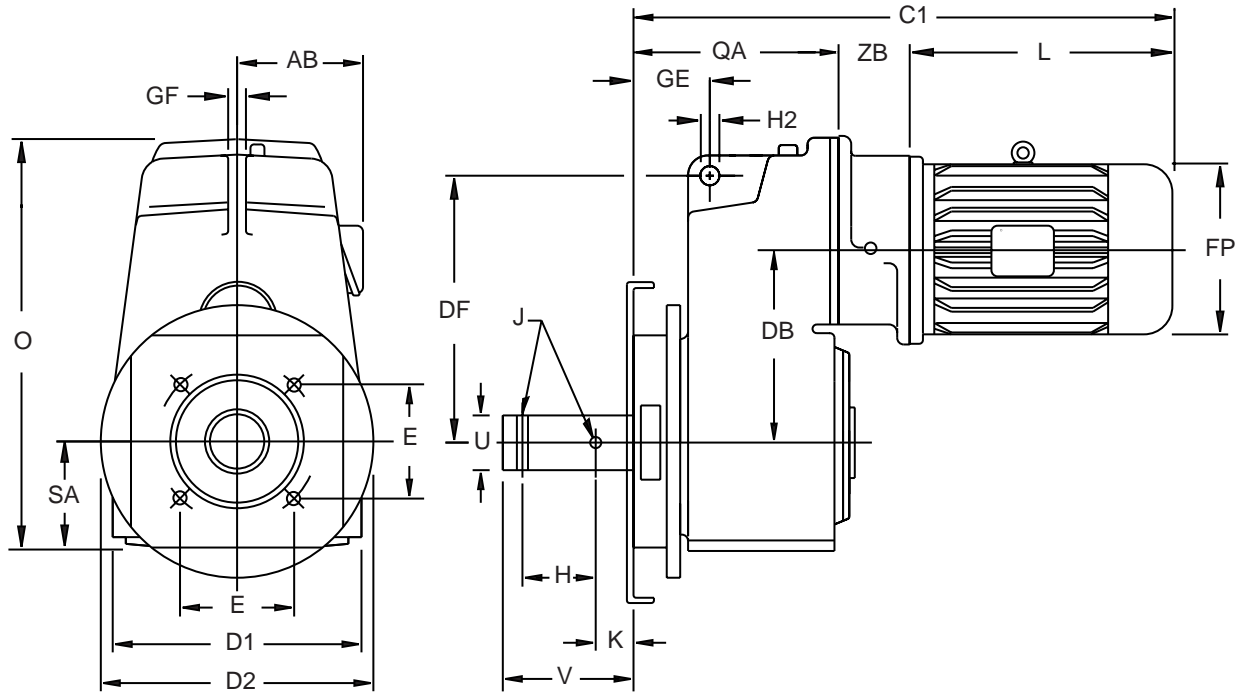
DXF files available upon request.

See Page 44 for shaft dimensions E, H, J, K, U & V.

# Nord Screw Conveyor Drive

Triple Reduction

Sizes SK 1382SC - SK 4382SC



## Gear Motor Dimensions

for 1-1/2" and 2" shafts

Unit Size	Integral Motor	Mounting Dimensions				Outline Dimensions										
		DF	GE	GF	H2	AB	C1	D1	D2	DB	FP	L	O	QA	SA	ZB
SK 1382SC	-71 S/L	6.50	1.34	0.55	0.43	4.57	18.38	6.22	8.50	3.62	5.71	9.76	10.39	6.34	3.03	2.28
SK 2382SC	-71 S/L	8.31	3.38	0.63	0.55	4.57	19.17	7.48	8.50	5.79	5.71	9.76	13.27	7.05	3.54	2.36
	4.88					20.12	6.38				10.71					
SK 3382SC	-71 S/L	9.84	3.58	0.71	0.55	4.57	20.11	8.90	8.50	7.01	5.71	9.76	15.16	7.99	4.21	2.36
	-80 S/L					4.88	21.06				6.38	10.71				
	-90S/L					5.12	22.55				7.13	12.20				
SK 4382SC	-71 S/L	11.06	4.09	0.87	0.87	4.57	21.89	10.04	10.04	8.11	5.71	9.53	17.87	9.64	4.84	2.72
	-80 S/L					4.88	22.83				6.38	10.47				
	-90S/L					5.12	24.33				7.13	11.97				
	-100L					6.22	26.73				7.99	14.37				

Dimensions are in inches and are subject to change.

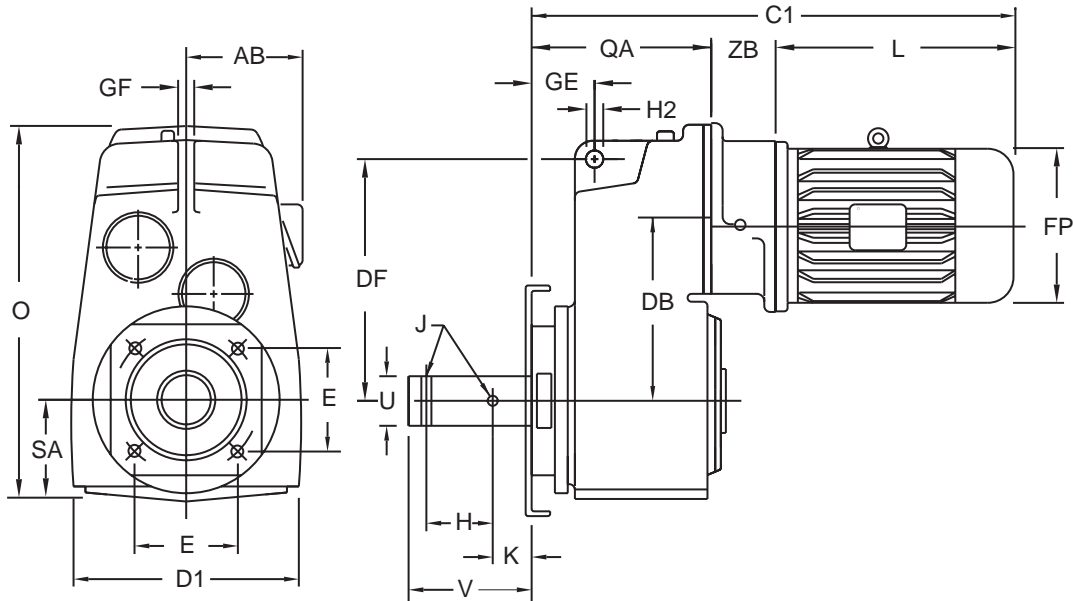
DXF files available upon request.

See Page 44 for shaft dimensions E, H, J, K, U & V.

# Nord Screw Conveyor Drive

Triple Reduction

## Sizes SK 5382SC - SK 9382SC



### Gear Motor Dimensions

for 2", 2-7/16" and 3-7/16" shafts

Unit Size	Integral Motor	Mounting Dimensions				Outline Dimensions											
		DF	GE	GF	H2	AB	D1	DB	FP	L	O	C1		QA		SA	ZB
												2" to 3"	3-7/16"	2" to 3"	3-7/16"		
SK 5382SC	-71S/L	13.42	4.35	1.10	0.87	4.57	12.05	9.88	5.71	9.53	20.55	22.50	23.00	10.25	10.75	5.75	2.72
	-80S/L					4.88			6.38	10.47	20.55	23.44	23.94				
	-90S/L					5.12			7.13	11.97	20.87	24.94	25.44				
	-100L					6.22			7.99	14.37	21.93	27.34	27.84				
SK 6382SC	-90S/L	14.06	5.18	1.38	1.02	5.12	13.78	11.06	7.13	12.20	22.79	25.90	26.40	13.70	14.20	6.77	---
	-100L					6.22			7.99	13.58	22.79	27.28	27.78				
	-132S/M					7.72			10.47	15.71	23.07	29.41	29.91				
	-160M/L					9.21			12.60	18.94	24.13	32.64	33.14				
SK 7382SC	-180M/L	15.71	5.25	1.57	1.02	9.21	16.14	12.44	12.60	18.94	24.13	36.53	37.03	14.23	14.73	7.76	---
	-100L					6.22			7.99	12.78	25.12	27.01	27.51				
	-132S/M					7.72			10.47	15.55	25.44	29.78	30.28				
	-160M/L					9.21			12.60	18.94	26.50	33.17	33.67				
	-180M/L					9.21			12.60	21.50	26.50	35.73	36.23				
SK 8382SC	-200L	18.31	3.27	1.97	1.22	14.20	18.50	14.17	17.00	27.36	28.70	41.59	42.09	16.51	17.01	8.66	---
	-225S					14.20			17.00	27.48	28.70	41.71	42.21				
	-132S/M					7.72			10.47	15.55	28.74	32.06	32.56				
	-160M/L					9.21			12.60	18.94	29.13	35.45	35.95				
SK 9382SC	-180L	22.99	3.70	2.17	1.22	9.21	24.02	18.27	12.60	21.50	29.13	38.01	38.51	18.32	18.82	11.61	---
	-225S					14.20			17.00	27.48	31.33	43.99	44.49				
	-132S/M					7.72			10.47	15.55	36.97	33.87	34.37				
	-160M/L					9.21			12.60	18.94	36.97	37.26	37.76				

Dimensions are in inches and are subject to change.

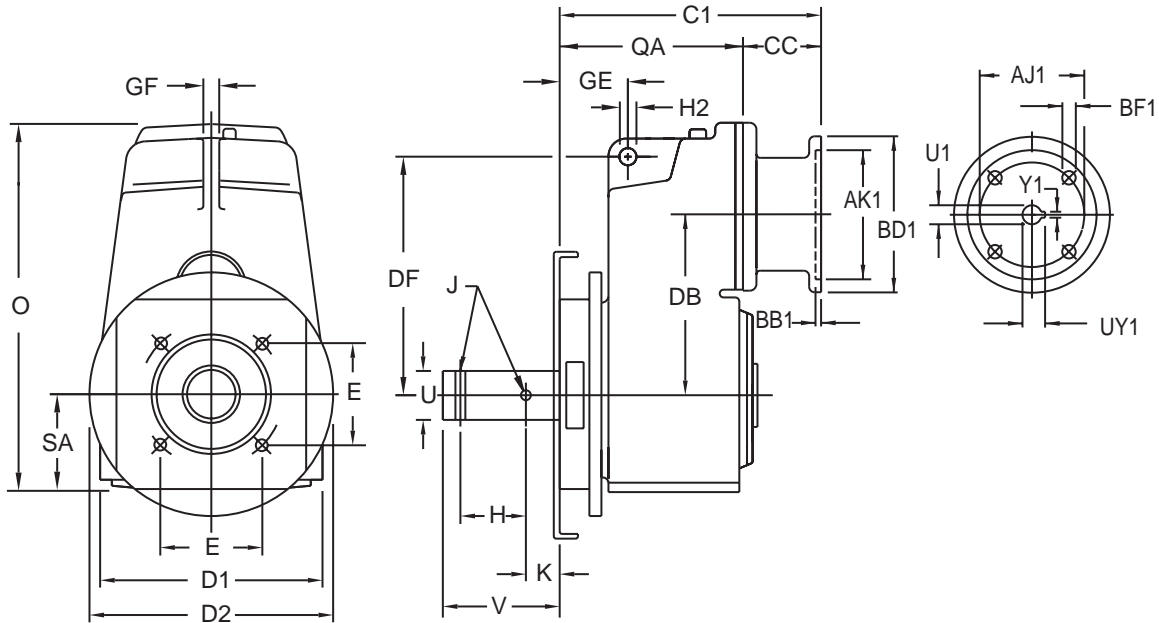
DXF files available upon request.

See Page 44 for shaft dimensions E, H, J, K, U & V.

# Nord Screw Conveyor Drive

Double Reduction

## Sizes SK 1282SC - SK 4282SC



### Gear Reducer Dimensions

for 1-1/2" and 2" shafts

Unit Size	C-Face Adapter	Mounting Dimensions				Outline Dimensions							
		DF	GE	GF	H2	C1	CC	D1	D2	DB	O	QA	SA
SK 1282SC	-56C	6.50	1.34	0.55	0.43	10.84	4.50	6.22	8.50	4.80	10.69	6.34	3.03
	-140TC					10.84	4.50				11.02		
	-180TC					11.99	5.65				11.40		
SK 2282SC	-56C	8.31	3.38	0.63	0.55	11.65	4.60	7.48	8.50	5.79	13.27	7.05	3.54
	-140TC					11.65	4.60				13.27		
	-180TC					13.65	6.60				13.86		
SK 3282SC	-56C	9.84	3.58	0.71	0.55	12.59	4.60	8.90	8.50	7.01	15.16	7.99	4.21
	-140TC					12.59	4.60				15.16		
	-180TC					14.59	6.60				15.75		
	-210TC					14.59	6.60				15.76		
SK 4282SC	-56C	11.06	4.09	0.87	0.87	13.94	4.30	10.04	10.04	8.11	17.87	9.64	4.84
	-140TC					13.94	4.30				17.87		
	-180TC					17.54	7.90				17.87		
	-210TC					17.54	7.90				17.87		
	-250TC					17.54	7.90				17.87		

NEMA	AJ1	AK1	BB1	BD1	BF1	U1	UY1	Y1
-56C	5.88	4.500	0.16	6.54	0.43	0.625	0.71	0.188
-140TC	5.88	4.500	0.16	6.54	0.43	0.875	0.96	0.188
-180TC	7.25	8.500	0.23	9.06	0.59	1.125	1.24	0.250
-210TC	7.25	8.500	0.23	9.06	0.59	1.375	1.52	0.312
-250TC	7.25	8.500	0.23	9.06	0.59	1.625	1.80	0.375

Dimensions are in inches and are subject to change.

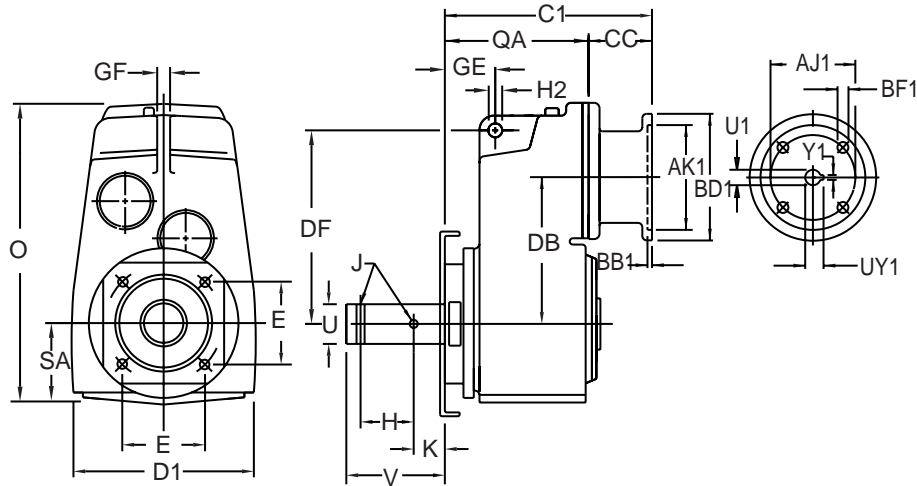
DXF files available upon request.

See Page 44 for shaft dimensions E, H, J, K, U & V.

# Nord Screw Conveyor Drive

Double Reduction

## Sizes SK 5282SC - SK 9282SC



### Gear Reducer Dimensions

for 2", 2-7/16" and 3-7/16" shafts

Unit Size	Integral Adapter	Mounting Dimensions				Outline Dimensions									
		DF	GE	GF	H2	CC	D1	DB	O	C1		QA		SA	
										2" to 3"	3-7/16"	2" to 3"	3-7/16"		
SK 5282SC	-56C					4.30			20.55	14.55	15.05				
	-140TC					4.30			20.55	14.55	15.05				
	-180TC	13.42	4.35	1.10	0.87	7.90	12.05	9.88	20.55	18.15	18.65	10.25	10.75	5.75	
	-210TC					7.90			20.55	18.15	18.65				
	-250TC					7.90			20.55	18.15	18.65				
	-280TC					8.94			20.55	19.19	19.69				
SK 6282SC	-180TC					7.50			22.79	21.20	21.70				
	-210TC	14.06	5.18	1.38	1.02	7.50	13.78	11.06	22.79	21.20	21.70	13.70	14.20	6.77	
	-250TC					11.38			22.79	25.08	25.58				
	-280TC					11.38			23.40	25.08	25.58				
	-320TC					10.35			26.69	24.05	24.55				
SK 7282SC	-210TC					7.50			25.12	21.73	22.23				
	-250TC	15.71	5.25	1.57	1.02	7.50	16.14	12.44	25.12	21.73	22.23	14.23	14.73	7.76	
	-280TC					11.38			25.77	25.61	26.11				
	-320TC					10.35			29.06	24.58	25.08				
SK 8282SC	-280TC	18.31	3.27	1.97	1.22	11.38	18.50	14.17	29.06	27.89	28.39	16.51	17.01	8.66	
SK 9282SC	-320TC	22.99	3.70	2.17	1.22	10.35	24.02	18.27	36.97	28.67	29.17	18.32	18.82	11.61	

NEMA	AJ1	AK1	BB1	BD1	BF1	U1	UY1	Y1
-56C	5.88	4.500	0.16	6.54	0.43	0.625	0.71	0.188
-140TC	5.88	4.500	0.16	6.54	0.43	0.875	0.96	0.188
-180TC	7.25	8.500	0.23	9.06	0.59	1.125	1.24	0.250
-210TC	7.25	8.500	0.23	9.06	0.59	1.375	1.52	0.312
-250TC	7.25	8.500	0.23	*13.78	0.59	1.625	1.80	0.375
-280TC	9.00	10.500	0.23	13.78	0.59	1.875	2.10	0.500
-320TC	9.00	12.500	0.24	15.75	0.75	2.125	2.35	0.500

\*BD1=9.06 on SK 5282SC

Dimensions are in inches and are subject to change.

DXF files available upon request.

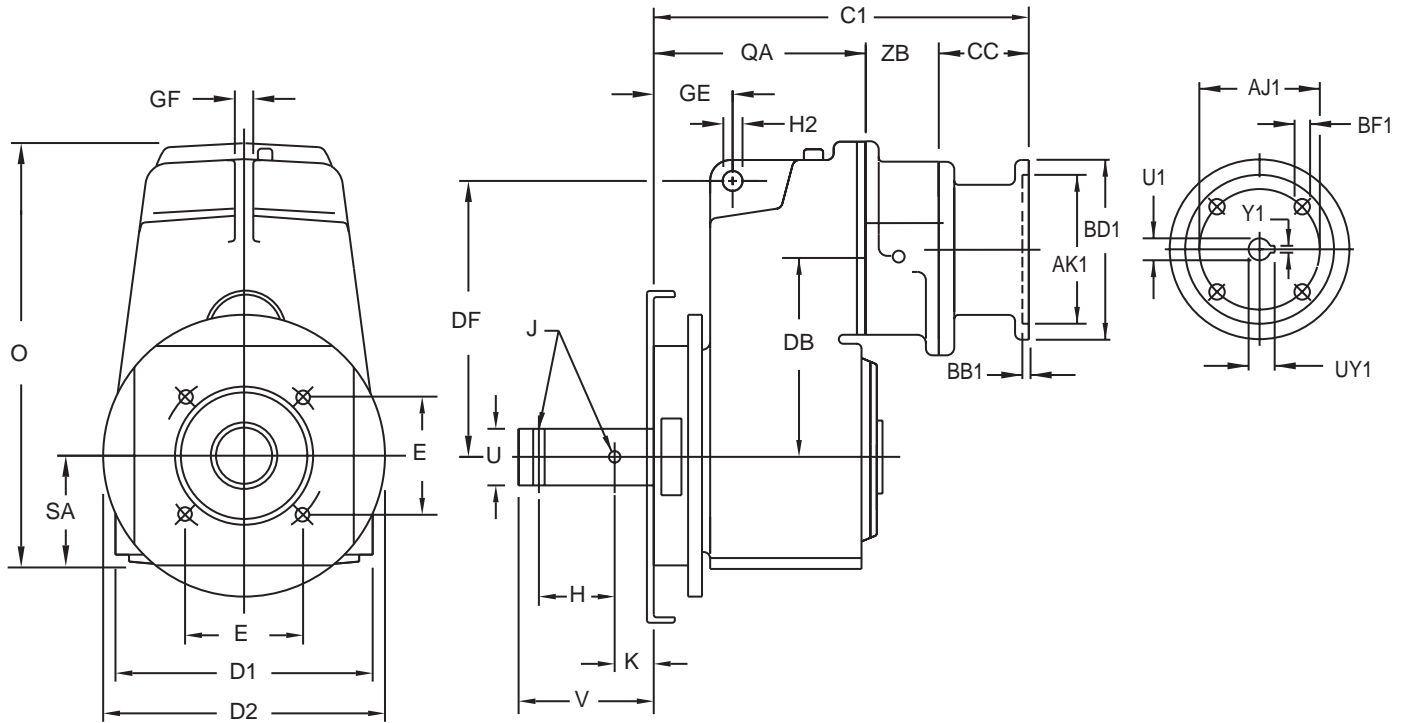
See Page 44 for shaft dimensions E, H, J, K, U & V.

DIMENSIONS

# Nord Screw Conveyor Drive

Triple Reduction

## Sizes SK 1382SC - SK 4382SC



## Gear Reducer Dimensions

for 1-1/2" and 2" shafts

Unit Size	C-Face Adapter	Mounting Dimensions				Outline Dimensions								
		DF	GE	GF	H2	C1	CC	D1	D2	DB	O	QA	SA	ZB
SK 1382SC	-56C	6.50	1.34	0.55	0.43	13.12	4.50	6.22	8.50	3.62	10.39	6.34	3.03	2.28
SK 2382SC	-56C	8.31	3.38	0.63	0.55	13.91	4.50	7.48	8.50	4.11	13.27	7.05	3.54	2.36
	13.91					4.50								
SK 3382SC	-56C	9.84	3.58	0.71	0.55	14.85	4.50	8.90	8.50	5.04	15.16	7.99	4.21	2.36
	14.85					4.50								
SK 4382SC	-56C	11.06	4.09	0.87	0.87	16.96	4.60	10.04	10.04	5.71	17.87	9.64	4.84	2.72
	-140TC					16.96	4.60							
	-180TC					18.96	6.60							

NEMA	AJ1	AK1	BB1	BD1	BF1	U1	UY1	Y1
-56C	5.88	4.500	0.16	6.54	0.43	0.625	0.71	0.188
-140TC	5.88	4.500	0.16	6.54	0.43	0.875	0.96	0.188
-180TC	7.25	8.500	0.23	9.06	0.59	1.125	1.24	0.250

Dimensions are in inches and are subject to change.

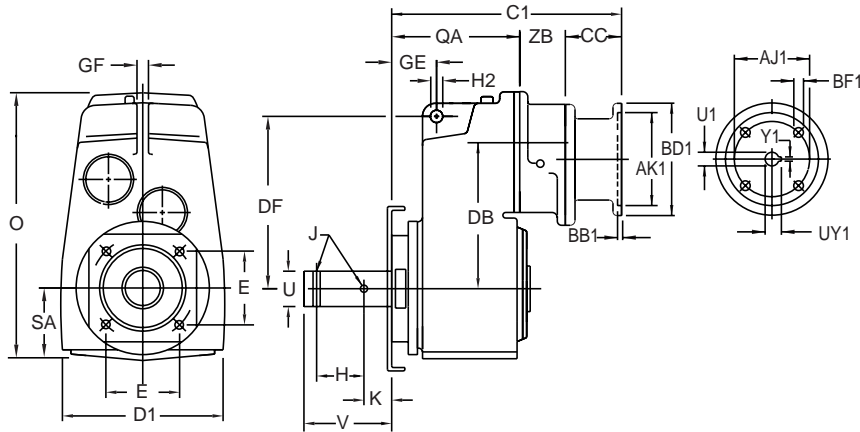
DXF files available upon request.

See Page 44 for shaft dimensions E, H, J, K, U & V.

# Nord Screw Conveyor Drive

Triple Reduction

## Sizes SK 5382SC - SK 9382SC



### Gear Reducer Dimensions

for 2", 2-7/16" and 3-7/16" shafts

Unit Size	Integral Adapter	Mounting Dimensions				Outline Dimensions									
		DF	GE	GF	H2	CC	D1	DB	O	C1		QA		SA	ZB
										2" to 3"	3-7/16"	2" to 3"	3-7/16"		
SK 5382SC	-56C	13.42	4.35	1.10	0.87	4.60	12.05	9.88	20.55	17.57	18.07	10.25	10.75	5.75	2.72
	-140TC					4.60				17.57	18.07				
	-180TC					6.60				19.57	20.07				
SK 6382SC	-140TC	14.06	5.18	1.38	1.02	4.30	13.78	11.06	22.79	18.00	18.50	13.70	14.20	6.77	---
	-180TC					7.90				21.60	22.10				
	-210TC					7.90				21.60	22.10				
	-250TC					7.90				21.60	22.10				
	-280TC					8.94				22.64	23.14				
SK 7382SC	-180TC	15.71	5.25	1.57	1.02	7.50	16.14	12.44	25.12	21.73	22.23	14.23	14.73	7.76	---
	-210TC					7.50			25.12	21.73	22.23				
	-250TC					11.38			25.12	25.61	26.11				
	-280TC					11.38			25.77	25.61	26.11				
	-320TC					10.35			29.06	24.58	25.08				
SK 8382SC	-210TC	18.31	3.27	1.97	1.22	7.50	18.50	14.17	28.74	24.01	24.51	16.51	17.01	8.66	---
	-250TC					11.38				27.89	28.39				
	-280TC					11.38				27.89	28.39				
SK 9382SC	-210TC	22.99	3.70	2.17	1.22	7.50	24.02	18.27	36.97	25.82	26.32	18.32	18.82	11.61	---
	-250TC					11.38				29.70	30.20				
	-280TC					11.38				29.70	30.20				
	-320TC					10.35				28.67	29.17				

NEMA	AJ1	AK1	BB1	BD1	BF1	U1	UY1	Y1
-56C	5.88	4.500	0.16	6.54	0.43	0.625	0.71	0.188
-140TC	5.88	4.500	0.16	6.54	0.43	0.875	0.96	0.188
-180TC	7.25	8.500	0.23	9.06	0.59	1.125	1.24	0.250
-210TC	7.25	8.500	0.23	9.06	0.59	1.375	1.52	0.312
-250TC	7.25	8.500	0.23	*13.78	0.59	1.625	1.80	0.375
-280TC	9.00	10.500	0.23	13.78	0.59	1.875	2.10	0.500
-320TC	9.00	12.500	0.24	15.75	0.75	2.125	2.35	0.500

Dimensions are in inches and are subject to change.

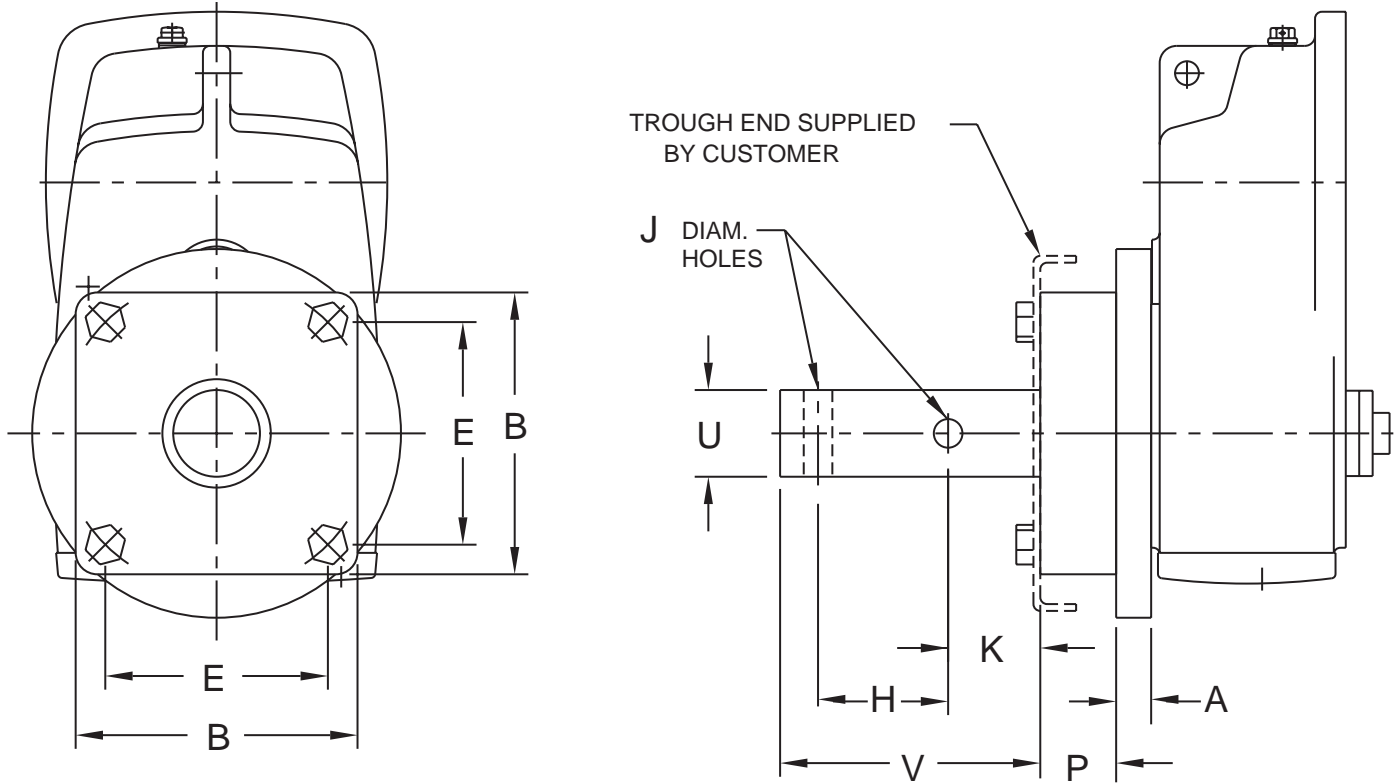
DXF files available upon request.

See Page 44 for shaft dimensions E, H, J, K, U & V.

DIMENSIONS

# Nord Screw Conveyor Drive

## Screw Shaft and Trough End Plate Dimensions



Drive Shaft Diameter U	For Screw Diameter (inches)	Unit Size	E	H	J	K	V	B	A	P	Hex Head Bolts (included)
1-1/2	6 & 9	SK 1282SC---SK 3382SC	4	3.0	17/32	2-1/8	6	5-3/8	0.81	1-3/4	1/2-13
		SK 4282SC---SK 4382SC	4	3.0	17/32	2-1/8	6	5-3/8	1.16	1-3/4	1/2-13
2	9 - 12	SK 1282SC---SK 3382SC	5-1/8	3.0	21/32	2-1/8	6	6-1/2	0.81	1-3/4	5/8-11
		SK 4282SC---SK 5382SC	5-1/8	3.0	21/32	2-1/8	6	6-1/2	1.16	1-3/4	5/8-11
2-7/16	12 & 14	SK 4282SC---SK 5382SC	5-5/8	3.0	21/32	2-3/4	6-11/16	7-3/8	1.16	1-3/4	5/8-11
		SK 6282SC---SK 7382SC	5-5/8	3.0	21/32	2-3/4	6-11/16	7-3/8	1.42	1-3/4	5/8-11
3	12 - 20	SK 4282SC---SK 5382SC	6	3.0	25/32	2-7/8	6-7/8	7-3/4	1.16	1-3/4	3/4-10
		SK 6282SC---SK 8382SC	6	3.0	25/32	2-7/8	6-7/8	7-3/4	1.42	1-3/4	3/4-10
3-7/16	18 - 24	SK 5282SC---SK 5382SC	6-3/4	4.0	29/32	3-7/8	9-1/8	9-1/2	1.16	2-1/4	3/4-10
		SK 6282SC---SK 9382SC	6-3/4	4.0	29/32	3-7/8	9-1/8	9-1/2	1.42	2-1/4	3/4-10

Dimensions in inches. Subject to change.

**Customer must ensure torsional capacity of all components of the drive system. Some gear units may develop sufficient torque to damage individual system parts. Nord Gear is only responsible for the gearbox unit supplied.**

# Nord Screw Conveyor Drive

## Options Pricing (List)

### Shafts

Shaft Diameters (inches)	1-1/2	2	2-7/16	3	3-7/16
<b>Stainless Steel Shaft</b>	\$470	\$575	\$685	\$790	\$910
<b>3 Hole AISI 1045 Shaft</b>	\$450	\$560	\$660	\$765	\$880
<b>3 Hole Stainless Steel Shaft</b>	\$630	\$645	\$755	\$865	\$1,000

### Spare Parts

Shaft Diameters (inches)	1-1/2	2	2-7/16	3	3-7/16
<b>Waste Pack Housing *</b>	\$160	\$200	\$240	\$305	\$395
<b>Std. AISI 1045 Output Shaft</b>	\$175	\$210	\$340	\$400	\$610

\* Waste Pack Housing includes seal packing material.

### NEMA C-Face Motors

Motor Type	Horsepower							
	0.33	0.5	0.75	1	1.5	2	3	5
<b>TEFC</b>	\$195	\$230	\$245	\$260	\$270	\$290	\$360	\$405
<b>Washdown Duty</b>	\$325	\$335	\$390	\$405	\$420	\$480	\$630	\$710
<b>Energy Efficient</b>	N/A	N/A	N/A	\$610	\$625	\$650	\$740	\$460
<b>Explosion Proof</b>	\$470	\$500	\$505	\$630	\$570	\$620	\$795	\$965

Motor Type	Horsepower							
	7.5	10	15	20	25	30	40	50
<b>TEFC</b>	\$520	\$625	\$1,065	\$1,320	\$1,630	\$1,900	\$2,710	\$2,910
<b>Washdown duty</b>	\$905	\$1,025	\$1,260	\$1,510	\$1,820	\$2,090	\$2,905	\$3,105
<b>Energy Efficient</b>	\$800	\$900	\$1,325	\$1,580	\$2,060	\$2,650	\$3,450	\$3,730
<b>Explosion Proof</b>	\$1,120	\$1,360	\$2,320	\$2,700	\$3,260	\$3,795	\$5,130	\$5,800

All motors are 230/460 volt, 3 phase, 60 Hertz.

Washdown duty motors are designed for harsh high pressure washdown.

Energy Efficient motors conform to Design E, EPACT regulations.

Explosion Proof motors are Class I Group D, Class II Group F & G.

# Nord Screw Conveyor Drive

## Integral Motor Options

List Adders

**STANDARD** - 3PH, 60HZ, 230/460 OR 575 V, TEFC OR **OPTIONAL** - 3PH, 50HZ, 230/400V, TEFC N/C

OPTION CATEGORY	OPTION DESCRIPTION	HP	0.16 & 0.25	0.33 & 0.5	0.75 & 1	1.5 & 2	3 & 5
		CODE	63	71	80	90	100
INVERTER DUTY	INVERTER DUTY (3)		STD	STD	STD	STD	STD
	CLASS H INSULATION		140	140	165	185	260
ENVIRONMENT PROTECTION	SEVERE DUTY (5)	NSD	CONSULT SELECTION PAGES				
	EPOXY DIPPED WINDINGS		125	125	125	125	125
	SPACE HEATER (2)		50	50	50	50	50
	BACKSTOP	R	NA	NA	675	800	830
MISC.	SINGLE PHASE MOTOR 115/230 (6)	EAR	190	200	215	260	NA
	SINGLE PHASE MOTOR 115/230 (7)	EHB	110	120	130	150	NA
	MOTOR SHAFT BEYOND FAN	WE	40	40	55	55	55
	HIGH INERTIA FAN (Soft Start)	Z	55	55	55	75	75
	EPACT EFFICIENCY (80SH/4 NA)		NA	NA	120	135	160
	HARTING QUICK POWER DISCONNECT		345	345	345	345	425
WINDING PROTECTION	THERMISTAT	TW	140	140	140	140	140
	THERMISTORS	TF	140	140	140	140	140
	THERMISTOR CONTROL		230	230	230	230	230
MULTI-SPEED	1800/3600 RPM	4/2	110	110	110	115	140
	900/1800 RPM	8/4	NA	170	190	200	200
	900/3600 RPM	8/2WU	225	225	235	275	275
POWER OFF BRAKES	STANDARD	BRE	240	240	325	385	480
	HAND RELEASE (1)	HL	N/C	N/C	N/C	N/C	N/C
COMPLETE MOTOR	FITS ONLY NORD GEARBOXES (8)		275	300	375	465	700

(1) **Must specify code when ordering.**

(2) Either 115V or 230V, 50/60HZ. **Must specify voltage when ordering.**

(3) Can operate continuously from 20-120HZ without blower or upsizing.

(4) Add LIST to gearmotor with same size motor frame.

(5) Severe Duty protections includes additional external insulation on windings, primer coating on all interior surfaces, sealed bearings, condensation drain holes in end bells, conduit box gaskets, extra coat of paint and stainless steel nameplate.

(6) Integral motor with capacitor start, capacitor run and relay.

(7) Integral motor with capacitor run only.

(8) For rapid motor changes includes factory installed input pinion. **Need original gearbox serial number to insure compatibility.**

# Nord Screw Conveyor Drive

## Integral Motor Options

List Adders

**STANDARD** - 3PH, 60HZ, 230/460 OR 575 V, TEFC OR **OPTIONAL** - 3PH, 50HZ, 230/400V, TEFC N/C

OPTION CATEGORY	OPTION DESCRIPTION	HP	5.4	7.5 & 10	15 & 20	25 & 30
		CODE	112	132	160	180
<b>INVERTER DUTY</b>	INVERTER DUTY (3)		STD	STD	STD	STD
	CLASS H INSULATION		300	425	700	875
<b>ENVIRONMENT PROTECTION</b>	SEVERE DUTY (5)	<b>NSD</b>	CONSULT SELECTION PAGES			
	EPOXY DIPPED WINDINGS		140	140	230	335
	SPACE HEATER (2)		60	65	70	75
<b>MISC.</b>	BACKSTOP	<b>R</b>	1000	NA	NA	NA
	SINGLE PHASE MOTOR 115/230 (6)	<b>EAR</b>	NA	NA	NA	NA
	SINGLE PHASE MOTOR 115/230 (7)	<b>EHB</b>	NA	NA	NA	NA
	MOTOR SHAFT BEYOND FAN	<b>WE</b>	65	65	110	150
	HIGH INERTIA FAN (Soft Start)	<b>Z</b>	120	120	NA	NA
	EPACT EFFICIENCY		275	310	510	790
	HARTING QUICK POWER DISCONNECT		425	485	NA	NA
<b>WINDING PROTECTION</b>	THERMISTAT	<b>TW</b>	140	160	160	160
	THERMISTORS	<b>TF</b>	140	160	160	160
	THERMISTOR CONTROL		230	230	230	230
<b>MULTI-SPEED</b>	1800/3600 RPM	<b>4/2</b>	NA	190	390	NA
	900/1800 RPM	<b>8/4</b>	200	250	430	NA
	900/3600 RPM	<b>8/2WU</b>	330	490	785	NA
<b>POWER OFF BRAKES</b>	STANDARD	<b>BRE</b>	530	580/825	1200	1600
	HAND RELEASE (1)	<b>HL</b>	N/C	N/C	N/C	N/C
<b>COMPLETE MOTOR</b>	FITS ONLY NORD GEARBOXES (8)		850	1310	2065	3450

- (1) **Must specify code when ordering.**
  - (2) Either 115V or 230V, 50/60HZ. **Must specify voltage when ordering.**
  - (3) Can operate continuously from 20-120HZ without blower or upsizing.
  - (4) Add LIST to gearmotor with same size motor frame.
  - (5) Severe Duty protections includes additional external insulation on windings, primer coating on all interior surfaces, sealed bearings, condensation drain holes in end bells, conduit box gaskets, extra coat of paint and stainless steel nameplate.
  - (6) Integral motor with start capacitor, run capacitor and relay.
  - (7) Integral motor with run capacitor only.
  - (8) For rapid motor changes includes factory installed input pinion. **Need original gearbox serial number to insure compatibility.**
- For 40 & 50 HP INTEGRAL MOTOR OPTIONS, consult factory.**

**OPTIONS**

# Nord Screw Conveyor Drive

## Warranty

Seller warrants the goods sold hereunder to be free from defects in material and workmanship under normal use and service not arising from misuse, negligence, or accident, including but not limited to the use, installation, and transportation of the goods by the buyer, its agents, servants, employees, or by carriers. Such obligations under this warranty are limited to remedying any deficiencies in the goods at Waunakee, Wisconsin, or at such place or places in the United States of America as may be designated by seller. This warranty shall pertain to any part or parts of any goods to which buyer or its assigns has given written notice of claimed defects to seller. Nord Gear Corp. warrants its products against defects in material and workmanship for a period of 12 months from date of installation or 18 months from date of shipment whichever comes first on all components. 36 months from date of invoice or 24 months from date of installation whichever comes first on gears and housings only. Parts which are subject to operational wear and tear, such as belts & traction discs, are not covered by the limited warranty. Buyer shall be required to furnish seller with details of such defects and this warranty shall be effective as to such goods which seller's examination shall disclose to its satisfaction to have been defective and which at seller's option shall promptly thereafter be returned to seller or its nominees. Except for the express warranties set forth above, seller has made no warranties, express, implied or statutory, as to the goods sold hereunder, including, but not limited to their merchantability or fitness for any particular purpose. Any description or model of the goods is for identification or illustrative purposes only and shall not be deemed to create an express warranty. The remedies of the buyer set forth in this section are exclusive. In no event shall the seller be liable to the buyer or to any other person for any loss or damage, direct or indirect, arising out of or caused by the use or operation of the goods, or for the loss of profits, business, or good will, or for any incidental, special or consequential damages. Seller shall in no event be liable to any person or firm (including any assignee or buyer) except buyer and its successors. Unless specifically authorized by seller in writing, seller shall not become responsible for any repair work done by buyer or any other party on any goods sold. Any costs of the return of such goods to seller shall be borne by buyer. Goods sold but not manufactured by the seller are being warranted as to defects in material and workmanship consistent with the limited warranty policy of the original manufacturer of the goods and if there is not such a limited warranty policy, the warranty shall be limited to the provision of the preceding paragraph of article 4 herein. Standards for the operating characteristics of the gearboxes and the gearmotors are in conformity with seller's tests.


# **Nord Screw Conveyor Drive**

## **General Notes**

# **Nord Screw Conveyor Drive**

## **General Notes**

# Nord Screw Conveyor Drive

Germanischer Lloyd  
Certification GmbH 

Annex 1 of 04.06.1999

Certificate No. QS-082 HH covers the following scope of certification:


**Getriebebau NORD GmbH & Co. KG**  
Rudolf-Diesel-Straße 1, D-22941 Bargteheide

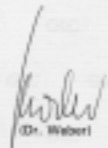
with the following locations:

- **Getriebebau NORD**  
Schärdinger Straße 7, A-4061 Pasching bei Linz
- **NORD AANDEUWINGEN RED. B.V.**  
Volvostraat 12, NL-2181 HA Hillegom
- **NORD Drivsystem AB**  
Pettersonsgatan 277, S-194 02 Upplanda Väsby
- **NORD GEAR Corporation**  
800 Nord Drive, Waukegan, U.S.A.-WI 53157-0967
- **NORD Gear Limited**  
1, Blacklands Way, Abingdon Business Park, GB-Abingdon, Oxford OX 14
- **NORD Réducteurs Production sarl**  
15, Rue Gutenberg, F-88800 Vieux Thonn
- **Produktionstechnik NORD GmbH & Co. KG**  
Rudolf-Diesel-Straße 5, D-22941 Bargteheide
- **NORD Motorreductores, S.A.**  
Crs. Prats de Lluçanes Nova 7, E-08207 Sabadell

relevant for:

**Engineering, Manufacturing and Sales of  
Reducers, Geared Motors and additional components**

  
**DAR**  
Deutscher  
Akkreditierungs  
Fuss  
**TGA-ZM-07-91-00**

  
 (Dr. Weber)

Germanischer Lloyd  
Certification GmbH 

## CERTIFICATE

The Germanischer Lloyd Certification GmbH, 20459 Hamburg,  
herewith certifies that the company

**Getriebebau NORD GmbH & Co. KG**  
Rudolf-Diesel-Straße 1, D-22941 Bargteheide

with the locations listed in Annex 1

has established and maintains a Quality Management System relevant for

**Engineering, Manufacturing and Sales of  
Reducers, Geared Motors and additional components**

Germanischer Lloyd Certification GmbH has audited the company. Evidence was provided  
that the Quality Management System fulfills the requirements of the following standard:

**DIN EN ISO 9001**  
edition: 08/1994

The validity of this certificate is subject to the company applying and maintaining its Quality  
Management System in accordance with the standard indicated. This will be monitored by  
Germanischer Lloyd Certification GmbH.

Validity extended until April 15, 2002  
Hamburg, June 04, 1999

Certificate No. **QS-082 HH**

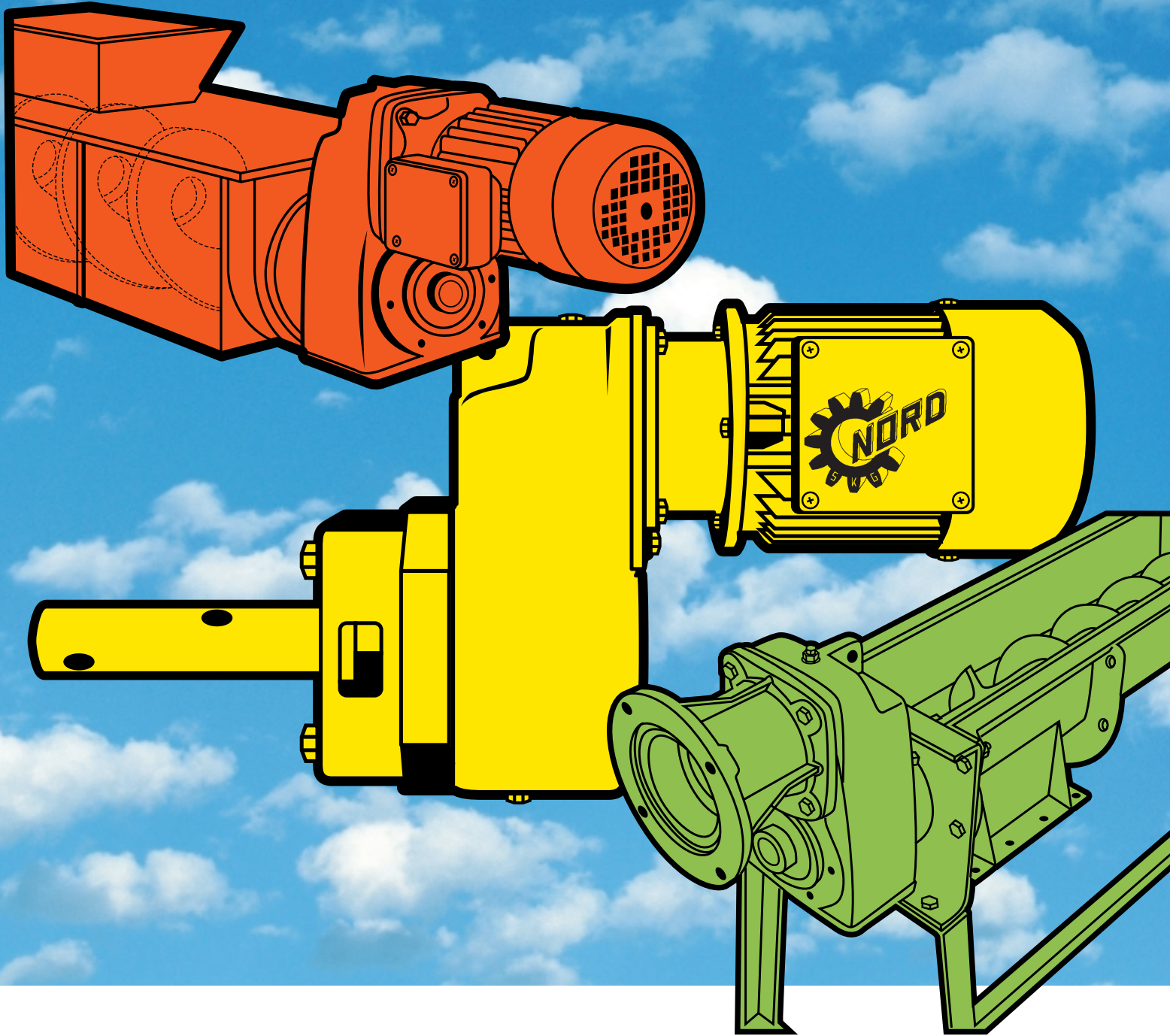
  
**DAR**  
Deutscher  
Akkreditierungs  
Fuss  
**TGA-ZM-07-91-00**

  
 (Dr. Weber)

  
 (Dr. Brunkow)



This certificate is valid only in connection with Annex 1 of 04.06.1999



## **Nord Gear Corporation**

North American Manufacturing & Assembly  
800 Nord Drive, P.O. Box 367  
Waunakee, WI 53597  
Tel: 608.849.7300  
Fax: 1.800.373.NORD

AP-1/00 KK16709

## **Nord Gear Corporation**

Regional Assembly and Sales Office  
647 Michael Wylie Drive  
Charlotte, NC 28217  
Tel: 704.529.1255  
Fax: 888.259.6673